

International  
Paralympic Committee

# Shooting Technical Rules and Regulations

June 2015





Official IPC Shooting Results and Target Systems Provider

**SIUS**

[www.ipc-shooting.org](http://www.ipc-shooting.org)

 [@IPCShooting](https://twitter.com/IPCShooting)

 [ParalympicSport.TV](https://www.youtube.com/ParalympicSport.TV)

 [/IPCShooting](https://www.facebook.com/IPCShooting)

## Table of contents

|   |           |
|---|-----------|
| Preamble.....   | 3         |
| <b>1 General regulations.....</b>   | <b>5</b>  |
| 1.1 Events.....   | 5         |
| 1.2 Programme of Events .....   | 5         |
| 1.3 Competitions and Levels.....  | 6         |
| 1.4 Competition Cycle .....   | 6         |
| 1.5 Competition approval and sanctioning.....                                       | 7         |
| 1.6 Competition Entries.....  | 8         |
| 1.7 Competition Management .....  | 10        |
| 1.8 International Classification .....  | 11        |
| 1.9 Technical Meeting.....  | 11        |
| 1.10 Start Number .....   | 11        |
| 1.11 Technical Protests and Appeals.....  | 12        |
| 1.12 Disqualification .....   | 12        |
| 1.13 Coaches' instruction .....   | 12        |
| 1.14 Target changers.....   | 13        |
| 1.15 Results.....   | 13        |
| 1.16 Rankings.....  | 13        |
| 1.17 World and Regional Records.....  | 14        |
| <b>2 Apparel and Equipment.....</b>   | <b>15</b> |
| 2.1 Compliance with ISSF Dress Code .....   | 15        |
| 2.2 IPC Shooting Specific Dress Code Provisions (Jackets, Trousers & Footwear)..... | 15        |
| 2.3 Equipment .....   | 16        |
| 2.4 Equipment Control .....   | 17        |
| 2.5 Strapping .....   | 18        |
| 2.6 Trigger adaptations .....   | 18        |
| 2.7 Shooting Chairs .....   | 19        |
| 2.8 Shooting Tables.....  | 22        |
| 2.9 SH2 Support stands .....  | 23        |
| <b>3 Rifle rules.....</b>   | <b>25</b> |
| 3.1 Events and times .....  | 25        |
| 3.2 Shooting positions .....  | 26        |
| 3.3 Loading Assistants (SH2 only) .....   | 28        |

|                    |  |           |
|--------------------|--|-----------|
| <b>4</b>           | <b>Pistol rules</b> .....  | <b>29</b> |
| 4.1                | Events and times.....  | 29        |
| 4.2                | Shooting position.....   | 30        |
| 4.3                | Loading device (safety).....   | 30        |
| <b>5</b>           | <b>Falling Target events</b> .....   | <b>31</b> |
| 5.1                | Competition Format .....   | 31        |
| 5.2                | Commands.....  | 33        |
| <b>6</b>           | <b>Team events</b> .....   | <b>34</b> |
| 6.1                | Events and format .....  | 34        |
| 6.2                | Team size.....   | 34        |
| 6.3                | Maximum number of teams per NPC .....  | 34        |
| 6.4                | Event viability.....   | 34        |
| <b>7</b>           | <b>Visually Impaired (VI) Shooting events</b> .....                          | <b>35</b> |
| <b>8</b>           | <b>Medical considerations</b> .....  | <b>36</b> |
| 8.1                | Return to Field of Play Decisions.....                                       | 36        |
| 8.2                | Epilepsy .....   | 36        |
| 8.3                | Pacemakers.....  | 37        |
| <b>9</b>           | <b>Technical Officials</b> .....   | <b>38</b> |
| 9.1                | General .....  | 38        |
| 9.2                | Duties and functions of ITOs.....  | 38        |
| 9.3                | Education, Certification and Development of Officials.....                   | 39        |
| <b>Appendix 1</b>  | <b>Requirements and designation of competitions</b>                          |           |
| <b>Appendix 2</b>  | <b>Overview of Level 1 (International Approved Competition) requirements</b> |           |
| <b>Appendix 3</b>  | <b>Overview of Level 2 (World Cup) requirements</b>                          |           |
| <b>Appendix 4</b>  | <b>Bib templates</b>   |           |
| <b>Appendix 5</b>  | <b>Equipment Control Sheet</b>   |           |
| <b>Appendix 6</b>  | <b>Trigger extensions and adaptations</b>                                    |           |
| <b>Appendix 7</b>  | <b>SH2 Support Stand</b>   |           |
| <b>Appendix 8</b>  | <b>P5 10m Air Pistol Standard</b>  |           |
| <b>Appendix 9</b>  | <b>Falling Target competition progression and draw programme examples</b>    |           |
| <b>Appendix 10</b> | <b>Athlete Epilepsy Declaration</b>  |           |

## Preamble

These IPC Shooting Rules and Regulations are mandatory for all IPC Shooting recognised competitions. The overall governance and management of all IPC Sports (including IPC Shooting) is subject to the detailed provisions of Chapter 2.7 of the IPC Handbook.

### Governance

The International Paralympic Committee (IPC) acts as the International Federation for the Sport of Shooting para-sport. It is responsible for, amongst other things, organising international Competitions and drawing up rules and regulations relevant to the Sport of Shooting para-sport, and ensuring that they are followed. IPC carries out its responsibilities as International Federation under the name “IPC Shooting”, and the term “IPC Shooting” should therefore be read in these Technical Rules and Regulations as being equivalent to IPC.

### Effect of ISSF Sport Technical Rules and Regulations

The latest\* ISSF Sport General Technical Rules shall apply to the Sport of Shooting para-sport except where they are modified by the IPC Shooting rules and regulations. These IPC Shooting rules and regulations are to be read in conjunction with the latest ISSF rules. The latest ISSF rules are reinforced and not inserted or restated here.

*\* latest version means latest printing edition including the interpretation of the ISSF rules*

### IPC Shooting Classification Rules and Regulations

The IPC Shooting Classification Rules and Regulations are an integral part of these Rules and Regulations, and are available at:

[www.ipc-shooting.org/rules-and-regulations/classification](http://www.ipc-shooting.org/rules-and-regulations/classification)

### **Changes to these Rules and Regulations**

Please note that these rules may be changed at any time as a result, for example, of changes in the ISSF rules, classification related matters or where IPC Shooting otherwise considers it necessary to do so.

### **Printing of Rules and Regulations**

All rules of IPC Shooting are the copyright property of the IPC and have been published for the benefit of NPCs, athletes, officials and others who are engaged in an official capacity with IPC Shooting. These Rules and Regulations may be reprinted or translated by any organisation with a legitimate need to do so, subject to IPC's continuing ability to assert its copyright in the rules and regulations, including the right to insist on an assignment to the IPC of the copyright in any translated version of these rules and regulations. The English version of these Rules and Regulations shall be accepted as the authoritative version for the purpose of interpretation.

# 1 General regulations

## 1.1 Events

1.1.1 The competition events recognised by IPC Shooting are:

| Event | Discipline              | Gender | Class |
|-------|-------------------------|--------|-------|
| R1    | 10m Air rifle standing  | Men    | SH1   |
| R2    | 10m Air rifle standing  | Women  | SH1   |
| R3    | 10m Air rifle prone     | Mixed  | SH1   |
| R4    | 10m Air rifle standing  | Mixed  | SH2   |
| R5    | 10m Air rifle prone     | Mixed  | SH2   |
| R6    | 50m Rifle prone         | Mixed  | SH1   |
| R7    | 50m Rifle 3 positions   | Men    | SH1   |
| R8    | 50m Rifle 3 positions   | Women  | SH1   |
| R9    | 50m Rifle prone         | Mixed  | SH2   |
| FTR1  | Falling Targets Rifle   | Mixed  | SH1   |
| FTR2  | Falling Targets Rifle   | Mixed  | SH2   |
| P1    | 10m Air pistol          | Men    | SH1   |
| P2    | 10m Air pistol          | Women  | SH1   |
| P3    | 25m Pistol              | Mixed  | SH1   |
| P4    | 50m Pistol              | Mixed  | SH1   |
| P5    | 10m Air Pistol Standard | Mixed  | SH1   |
| FTP   | Falling Targets Pistol  | Mixed  | SH1   |

## 1.2 Programme of Events

1.2.1 The competition programmes recognised by IPC Shooting are:

|                             |                           |
|-----------------------------|---------------------------|
| Programme 1: All Events     | R1-R9 & P1-P5 / (FT)      |
| Programme 2: Air Events     | R1-R5 & P1-P2 & P5 / (FT) |
| Programme 3: Firearm Events | R6–R9 & P3-P4             |

*The events in the parenthesis – brackets “( )” - are optional.*

### 1.3 Competitions and Levels

1.3.1 IPC Shooting recognised competition levels are as follows:

|                |   |
|----------------|---|
| <b>Level 3</b> | IPC Competitions<br><i>Paralympic Games, IPC Shooting World and Regional Championships</i>                                      |
| <b>Level 2</b> | IPC Shooting Sanctioned Competitions<br><i>World Cups</i>   |
| <b>Level 1</b> | IPC Shooting Approved Competitions<br><i>International Approved shooting competitions endorsed by an NPC &amp; IPC Shooting</i> |

1.3.2 For full details on the requirements for each level of recognised competition, see the Designation of Competitions (available as **Appendix 1** to these Rules and Regulations).

### 1.4 Competition Cycle

1.4.1 A 4-year-cycle for Level 3 competitions will be adopted as follows:

|               |   |
|---------------|---|
| <b>Year 1</b> | Regional Championships (except if included in Regional Games) |
| <b>Year 2</b> | World Championships   |
| <b>Year 3</b> | Regional Championships (except if included in Regional Games) |
| <b>Year 4</b> | Paralympic Games  |

1.4.2 An annual programme of World Cups (Level 2 competitions) will be sanctioned by IPC Shooting.

1.4.2.1 Priority for sanctioning will be given to Programme 1 competitions.

1.4.2.2 A maximum of four (4) Programme 1 World Cups will be sanctioned per year (effective from 2017).

1.4.2.3 If the maximum four (4) Programme 1 World Cups cannot be secured, IPC Shooting may, at its sole discretion, organise two (2) Programme 2 or 3 World Cups in the same year, in replacement of one (1) Programme 1 World Cup.



## 1.5 Competition approval and sanctioning

1.5.1 A Local Organising Committee (LOC) is the organisation responsible to manage a competition. The LOC must be endorsed by the NPC and shall have its structure subject to approval by IPC Shooting. The LOC, in conjunction with IPC Shooting, shall be responsible for the entire management of the competition, including the arrangement of the programme of events, arrangement for the classification of athletes, all technical equipment and installation prior to and during competition.

### 1.5.2 Process for hosting Level 1 and Level 2 competitions

1.5.2.1 The programme of events for Level 1 and Level 2 competitions can be Programme 1, 2 or 3.

1.5.2.2 **Level 1 competitions:** for an overview of hosting requirements for LOCs refer to **Appendix 2**.

1.5.2.3 **Level 2 competitions:** for an overview of hosting requirements for LOCs refer to **Appendix 3**.

1.5.2.4 Competition hosting application forms can be found on the IPC Shooting website.

### 1.5.3 Process for hosting Level 3 competitions

1.5.3.1 **The programme of events for the Paralympic Games is R1-R8 & P1-P4.**

1.5.3.2 The programme of events for World and Regional Championship competitions must follow Programme 1.

1.5.3.3 An overview of the process and minimum requirements for IPC Shooting World and Regional Championships, plus the full Bid Package documentation, can be found on the IPC Shooting website.

## 1.6 Competition Entries

### 1.6.1 Entry Procedures

#### 1.6.1.1 Entry Fees

1.6.1.1.1 The Basic Entry Fee: The LOC shall set (with IPC Shooting approval) and charge a Basic Entry Fee to all athletes and team officials participating in a Level 1 or Level 2 competition. This fee is calculated according to the approximate price per person for services during the competition (e.g. transport, meals etc.)

1.6.1.1.2 The Event Entry Fee: In addition to the Basic Entry Fee, IPC Shooting shall charge a fixed-price Event Entry Fee to Athletes and Teams participating in Level 2 competitions. The Event Entry Fee shall be charged as follows:

- Individual events: EUR 5 per athlete entry per individual event;
- Team events: EUR 15 per team entry per team event.

1.6.1.1.3 The Basic Entry Fee and Event Entry Fee will be collected by the LOC by the deadline given in the Competition Information Package. The LOC shall remit the Event Entry Fee to IPC no later than 30 days after the competition.

#### 1.6.1.2 Entries

1.6.1.2.1 All entries from NPCs must be received by the deadline as set out in the Competition Information Package. Close of entries is midnight Bonn-time on the date given.

1.6.1.2.2 For World Cups and World/Regional Championships, NPCs must submit a First Entry by Number via the Online Entry System by the given deadline, including the total number of athletes and team officials participating and all individual and team events in which the NPC will participate.

1.6.1.2.3 For World Cups and World/Regional Championships, the entries per NPC per event will be restricted:

- (a) The maximum entry per NPC is four (4) 'Full' participants per event. "Full" participants means athletes eligible to progress to the final, and to obtain records and ranking.

- (b) NPCs may additionally enter an unlimited number of 'MQS-only' athletes, "MQS-only" means athletes who are eligible to obtain qualification scores to be recognised for Minimum Qualifying Scores (MQS), but cannot progress to the event final or obtain direct quota allocation, records or rankings. However, in the event that there are limited firing points at a competition, the number of MQS-only entries that can be accepted will be limited accordingly.
- (c) When entering more than four (4) athletes to an event via the Online Entry System, the NPC should contact IPC Shooting after making the online entries, confirming which athletes are to be entered as "Full" entry and which as "MQS-only".

#### 1.6.1.3 Late Entries and Replacement Athletes

1.6.1.3.1 Late entries will be accepted at the discretion of the LOC and IPC Shooting upon payment of a Late Entry Fee of EUR 50 per additional athlete entered.

1.6.1.3.2 If an athlete suffers an injury or medical condition and cannot partake in an event, IPC Shooting and LOC may, at their sole discretion, approve a replacement athlete to partake in that event. The NPC must submit support documents to IPC Shooting office for approval.

#### 1.6.2 Athlete Eligibility

1.6.2.1 All competing athletes must adhere to the IPC Nationality Policy (see IPC Handbook - Section 2 - Chapter 3.1 - IPC Athlete Nationality).

1.6.2.2 All competing athletes must have a valid IPC Shooting ID Card and be licensed by the IPC in accordance with the IPC Athlete Licensing Policies by the time of the Final Entry Deadline.

1.6.2.3 At Level 3 Competitions all athletes shall have international classification status of 'Confirmed' or 'Review' in accordance with the classification procedures and requirements set out in the IPC Shooting Classification Manual.

### 1.6.3 Minimum Qualifying Scores

- 1.6.3.1 All athletes will be required to reach set MQS to be eligible to compete in Level 3 Competitions. The MQS will be defined by IPC Shooting for these events and published in the relevant Qualification Documentation per competition.
- 1.6.3.2 There are no required MQS for competing in IPC Shooting Level 1 or 2 Competitions.

## 1.7 Competition Management

- 1.7.1 IPC Shooting shall have the right to manage World Championships and Level 2 competitions. The words “World” and “IPC Shooting” may not be used in connection with any shooting event without the consent of IPC Shooting.
- 1.7.2 IPC Shooting shall govern and enforce all rules and regulations for the conduct of all IPC Shooting recognised competitions.
- 1.7.3 IPC Shooting shall have jurisdiction over all matters (not including those matters assigned to judges or other officials under the rules) and shall have power to postpone events\* and give directions consistent with rules adopted for conducting any event.
- 1.7.4 \* Event means: P1-P5; R1-R9; and FTP, FTR1 and FTR2
- 1.7.5 For Level 3 competitions the entry criteria (number of athletes/NPCs, MQS, list of events, etc.) shall be defined in the Qualification Documentation per competition.
- 1.7.6 An event will only be considered viable if the minimum viability criteria (as specified in **Appendix 1**) is met by the time of the technical meeting and reflected as such on the start list.
  - 1.7.6.1 IPC Shooting also reserves the right to cancel in advance any events which are not viable by the first entry by number deadline and will inform the LOC and NPCs in a timely manner.
- 1.7.7 If necessary, IPC Shooting will agree with the LOC a maximum number of entries per event based on the limitations of the number of available firing points and time schedule.

## 1.8 International Classification

- 1.8.1 International Classification will be conducted prior to the start of a competition in accordance to the IPC Shooting Classification Rules and Regulations.
- 1.8.2 Prior to the competition a list and timetable for those athletes required to present themselves for classification will be created. Athletes and NPCs will be informed accordingly of their appointment time by the IPC Shooting Office.

## 1.9 Technical Meeting

- 1.9.1 Before the start of the competition there must be a Technical Meeting with representatives of the participating countries and the Organising Committee, supervised by the IPC Shooting Technical Delegate or Chief Judge.
- 1.9.2 There must be no less than 2 hours between the completion of the classification process and the start of the Technical Meeting.

## 1.10 Start Number

- 1.10.1 A start number must be assigned to each athlete and appear on all competition lists and timetables.
- 1.10.2 The athlete start numbers are printed on the Bibs, which are produced by IPC Shooting and distributed by the LOC. SH2 athletes who are permitted to use a Loading Assistant (denoted by '(L)' on the Athlete Bib) will also be issued a Loader Bib.
- 1.10.3 The Bib size and design must be as shown in Appendix 4.
- 1.10.4 The Bib must be visible at all times when the athlete (and/or Loading Assistant) is on the Field of Play.
- 1.10.5 For athletes competing from a shooting chair/wheelchair with backrest, the bib must be displayed on the back of the backrest.
- 1.10.6 In case that the Bib is issued to an athlete (and/or Loading Assistant) but not displayed, the athlete may not commence/continue to shoot in the event.

## **1.11 Technical Protests and Appeals**

- 1.11.1 Violation of the technical rules will be handled as per ISSF and IPC Shooting rules.
- 1.11.2 All protests, including appeals, regarding technical matters must be handled as per ISSF rules using IPC Shooting official documentation and forms (available on IPC Shooting website).
- 1.11.3 If the protest is denied the protest fee will be retained by the IPC Shooting.

## **1.12 Disqualification**

- 1.12.1 An athlete, team official, team member or any other individual who:
  - Contravenes the spirit of fair-play or offends manifestly members of any committee, officials or judges in the course of his/her official duties, or;
  - Behaves himself/herself in a manner which discredits IPC Shooting, the IPC, any International Federation or the Organisers of a competition;May be penalised, according to ISSF and IPC Shooting rules.
- 1.12.2 Situations that are not covered by the rulebook will be examined under a “case by case” basis by the IPC Shooting TD in the first instance. Based on the examined case the outcome will be reported to the IPC Shooting office and actions will be taken. In situations when there is no TD available during the competition, the Chief Judge in partnership with the Chief Classifier (if in attendance) will fulfil the task of the TD in consultation with IPC and LOC where possible.

## **1.13 Coaches' instruction**

- 1.13.1 Coaches are permitted to approach the line on request of the athlete if permitted by the range official.

## 1.14 Target changers

- 1.14.1 Target changers may be allowed for all athletes if required, depending on the environment of the shooting range (e.g. paper targets) and is the decision of the Chief Judge and Chief Range Officer.
- 1.14.2 The target-changer must not speak or give signals during the match. He/she may only change targets.
- 1.14.3 The target-changer must be at least 1 metre behind the competitor between shots. Exceptions can be made at the discretion of the Jury.

## 1.15 Results

- 1.15.1 Scoring procedures for all IPC Shooting events must be followed as described in the ISSF rulebook.
- 1.15.2 If the IPC Shooting Official Results System Provider is not supporting the competition, it is the responsibility of the LOC to provide the competition results to the IPC Shooting office by no later than 7 days after the competition. The official IPC Shooting electronic result template (Excel format) must be used.
- 1.15.3 The result book must be coordinated by the TD, Classification Jury, IPC Shooting Office and LOC;
  - 1.15.3.1 The IPC Shooting official template must be used.
  - 1.15.3.2 The result book must be published by IPC Shooting within 1 day of the end of competition.

## 1.16 Rankings

- 1.16.1 IPC Shooting shall maintain world and regional rankings based on the final results list submitted from IPC Shooting recognised competitions.
- 1.16.2 A ranking system will determine the best performing athlete per event per season based on a point system.
- 1.16.3 Only athletes that are licensed, have a sport class status Review or Confirmed and reach the rankings cut-off standard for the relevant event, will have their results recognised for ranking purposes.

1.16.4 Ranking points will be attributed depending on the level of competition and according to the below table.

1.16.5 The scores that will be considered are from Level 3 plus the best one (ranking position for the athlete) from Level 1 and Level 2.

| Rank | Ranking points distributed  |                                   |   |
|------|---|-----------------------------------|---|
|      | Level 3<br>Paralympic Games,<br>World and Regional<br>Championships | Level 2<br>World Cup Competitions | Level 1<br>International Approved<br>Competitions |
| 1    | 50  | 30                                | 15  |
| 2    | 45  | 25                                | 13  |
| 3    | 41  | 22                                | 11  |
| 4    | 37  | 19                                | 9   |
| 5    | 34  | 17                                | 7   |
| 6    | 31  | 15                                | 5   |
| 7    | 28  | 13                                | 4   |
| 8    | 25  | 11                                | 3   |
| 9    | 21  | 9                                 | 2   |
| 10   | 18  | 7                                 | 1   |
| 11   | 15  | 6                                 | -   |
| 12   | 12  | 5                                 | -   |
| 13   | 10  | 4                                 | -   |
| 14   | 8   | 3                                 | -   |
| 15   | 6   | 2                                 | -   |

## 1.17 World and Regional Records

1.17.1 IPC Shooting will ratify World or Regional records which fulfil the below criteria:

- score is obtained at an IPC Shooting Level 2 or 3 competition;
- is shot in accordance with ISSF and IPC Shooting rules;
- the competition was subject to IPC doping control rules;
- the official IPC Shooting World/Regional Record Application form (available on IPC Shooting website) must be completed and submitted to IPC Shooting office.



## 2 Apparel and Equipment

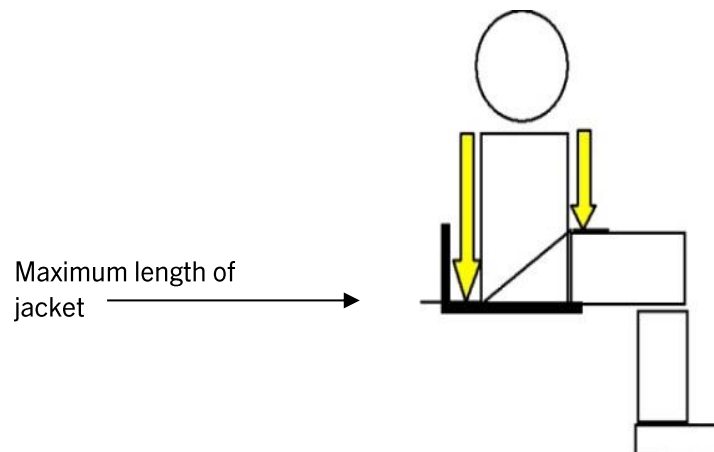
### 2.1 Compliance with ISSF Dress Code

- 2.1.1 All persons on the Field of Play and Ceremonies Area must adhere to the ISSF Dress Code (ISSF Rules 6.7.6, 6.19.3 & 6.19.2.2).
- 2.1.2 Athletes must also comply with the IPC Specific Dress Code Provisions as set out in 2.2 below.
- 2.1.3 In the event of a conflict between the ISSF Rules and these Rules and Regulations, these Rules and Regulations shall prevail.

### 2.2 IPC Shooting Specific Dress Code Provisions (Jackets, Trousers & Footwear)

#### 2.2.1 Shooting Jackets

- 2.2.1.1 For athletes competing from a Shooting Chair (not including a high stool), the maximum length of the shooting jacket may not be longer than down to the lap in front and down to the top of the cushion in back. The length of the jacket will be measured in standing shooting position.



- 2.2.1.2 For athletes shooting from a high stool or free standing, who have a trunk function score A, an ordinary jacket as prescribed by ISSF is allowed.
- 2.2.1.3 No competitors are allowed to sit on their shooting jackets during competition.

- 2.2.1.4 The same shooting jacket may be used in all shooting positions. Only one shooting jacket may be approved by equipment control for each athlete for all rifle events in one competition. An exception to the rule is made for SH1 athletes in the following cases:
- (a) shooting the prone position lying on the floor or table;
  - (b) shooting the kneeling position from a standard shooting chair;
  - (c) in air rifle prone events competitors may not lay down, but must use a table and a shooting chair. If the athlete has to use a table he or she must also use a shooting chair.

## 2.2.2 Shooting Trousers

- 2.2.2.1 Shooting Trousers are prohibited, with the exception of SH1A athletes, when shooting from a high stool or free-standing position.

- 2.2.2.2 For definition of the shooting trousers, refer to ISSF rule 7.5.5.

## 2.2.3 Footwear

- 2.2.3.1 Footwear must be worn by all persons on the Field of Play.

- 2.2.3.2 An athlete may be permitted to wear orthopaedic footwear or other non-ISSF Dress Code compliant footwear (e.g. sandals) if there is a valid medical reason. Such exceptions will be assessed and decided by the Classification Panel and recorded on the athlete's Classification and License Cards. Such footwear will not be tested for flexibility during equipment control.

## 2.3 Equipment

- 2.3.1 Athletes must use only equipment that complies with, and is in the spirit of, the ISSF and IPC Shooting Rules. Any equipment (including guns, devices, accessories, etc.) which may give an athlete an unfair advantage over others or which is not expressly permitted in these Rules and Regulations is prohibited.
- 2.3.2 All equipment must supplied by the competitor.

- 2.3.3 Athletes and their equipment must be within the designated area of their firing point.
- 2.3.4 All parts of the athlete's equipment or body, which makes contact with the ground, must be behind the firing line, with the exception of rifle resting stands, which will be permitted in accordance to the ISSF rules.
- 2.3.5 For sitting athletes shooting from a Shooting Chair (not including a high stool), the centreline of the barrel must not exceed more than 150cm (measured from the ground or floor).
- 2.3.6 An SH2 athlete is allowed to add material that gives increased grip for the hands on the rifle, and on the butt plate to increase the grip on the jacket. However the rifle needs to remain within the specified dimensions.

## 2.4 Equipment Control

- 2.4.1 Team leaders **and coaches** are equally responsible for ensuring that athletes' equipment and apparel comply with the ISSF and IPC Shooting Rules and Regulations.
- 2.4.2 **ISSF equipment will be checked in accordance with the ISSF rules.**
- 2.4.3 **IPC Shooting-specific equipment**
- 2.4.3.1 **'IPC Shooting-specific equipment' is defined as:**
- Strapping
  - Prothesis
  - Shooting table(s)
  - Compensating block
  - Shooting chair(s)
  - SH2 Rifle Support Stand
  - Loading Device (Pistol)
  - Trigger Adaptions
- 2.4.3.2 **IPC Shooting-specific equipment checks will be done in accordance with these Rules and Regulations.**

- 2.4.3.3 The athlete is responsible for submitting equipment and apparel for official inspection and approval before the start of every competition. As part of this process:
- the athlete must present both their valid Athlete ID and Licence Cards;
  - the Equipment Control Sheet (**Appendix 5**) must be completed and signed by all relevant parties.

2.4.3.4 Each athlete's IPC Shooting-specific equipment may be checked on the line prior to the start of each event.

2.4.4 Random equipment checks will be done directly after a competition.

#### 2.4.5 **One-time-only Equipment Control**

2.4.5.1 This procedure is currently under review and will be reinstated once a suitable process can be defined.

## 2.5 **Strapping**

2.5.1 The athletes are not allowed to hold or touch the straps when competing to gain stability.

2.5.2 Straps must not exceed 5cm in width.

2.5.3 Below knee: it is permitted to have 1 below knee strap to the shooting chair

2.5.4 Above knee: the legs may be strapped together once above the knees but not to the chair.

2.5.5 In the case of double above-knee amputees a strap across the stumps and strapped to the chair is permitted.

## 2.6 **Trigger adaptations**

2.6.1 Trigger adaptations are permitted, only if specified on the athlete's Classification Card.

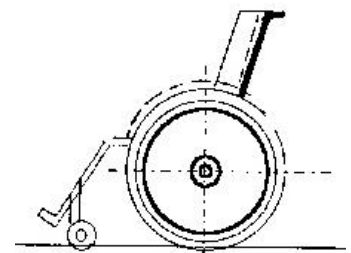
2.6.2 Trigger adaptations are all triggers or trigger amendments that are outside of the dimensions of the trigger guard (see **Appendix 6**).

## 2.7 Shooting Chairs

- 2.7.1 “Shooting Chairs” are any object on which an athlete sits on to shoot. This includes wheelchairs, stools, chairs, seats and high stools.
- 2.7.2 High stools are Shooting Chairs that have a seat at a height equal to or higher than the athlete’s mid-thigh height. The mid-thigh height is measured from the knee joint to the hip joint along the femur bone as determined by the TD in his/her absolute discretion.
- 2.7.3 All Shooting Chairs will be checked with the athlete in the shooting position during equipment control and will be subject to spot checks on the shooting line before, during or immediately after the competition.
- 2.7.4 The guidelines for armrests, sideboards and table per discipline are summarised below.

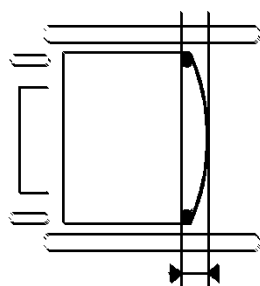
| Position        | Armrests   | Sideboards   | Table  |
|-----------------|--|--|--|
| <b>Kneeling</b> | Authorised, if the armrests are used to attach the table or are non-removable. If arm rests are used, they must not provide additional trunk support or stability (see 3.2.1.2). | Not authorised. However, if the construction of the wheelchair includes a non-removable wheel guard, the height of this wheel guard may not exceed the height of the curve of the wheel. | Authorised, however the table frame must not provide additional support or stability in any way (see 3.2.1.2). |
| <b>Prone</b>    | Authorised, if the armrests are used to attach the table or are non-removable. The arm(s) of the shooting chair which are not used to attach the table/board must be removed.    | Authorised, however they must not provide additional trunk support or stability.   | Authorised (however with restrictions as stipulated in 3.2.2.1).   |
| <b>Standing</b> | Not authorised.  | Not authorised, unless sideboards are non-removable.   | Not authorised.  |

- 2.7.5 Handles and side posts may not exceed the height of the backrest.
- 2.7.6 Athletes must not lean on the side posts, or add any material or modify the structure of their Shooting Chairs, to gain stability of the pelvis or the spine and thus gain unfair advantage against their fellow competitors. Under special circumstances the functional classification panel may allow a special backrest to overcome a specific physiological condition of the spine (special circumstances must be written on the Athlete Licence Card).
- 2.7.7 The chair may be upholstered with material **that is** compressible up to a maximum of 5 cm.
- 2.7.8 The sitting angle and backrest angle is free; however the axis of the wheelchair **from side-to side** must be horizontal ( $\pm 5$  degrees).
- 2.7.9 No part of the backrest may be higher than the minimum Visible Free Height that is determined during Classification (see point 2.7.11 below and IPC Shooting Classification Rules and Regulations, Appendix 1).



#### 2.7.10 Backrest slack

- 2.7.10.1 The backrest may be made of **hard or** flexible material:
  - (a) **Backrests made from flexible material:** the maximum slack (stretch) of the backrest (the distance from the front of the vertical side posts of the backrest to the deepest part of the backrest) shall not exceed 8cm;
  - (b) **Backrests made from hard material:** the backrest may be flat, or with a curved surfaced, however the maximum slack (depth of the curve) of the backrest (the distance from the front of the vertical sides of the backrest to the deepest part of the backrest) shall not exceed 3cm.
- 2.7.10.2 Backrest slack is to be measured with the athlete in the chair in the shooting position (see picture below).



**Slack:**  
 < 8cm (flexible backrest), or;  
 < 3cm (hard backrest)

## 2.7.11 Visible Free Height

### 2.7.11.1 Score A

- a back-support of any height may be fitted to the shooting chair in such a way that competitors may take a rest against it between shots;
- there must be clearly no contact between athlete and back-support when firing.

### 2.7.11.2 Score B

- a minimum of 60% of the total back length of the athlete needs to be above the backrest;
- the measurement will be taken in Classification without the athlete wearing shooting equipment (the length of the spine is measured in vertical position from the surface on which the shooter is sitting, along the contour of the spine to the middle of vertebra C7 - vertebra prominence);
- the measurement will be recorded on the Athlete's classification form and Licence Card as the minimum Visible Free Height.

### 2.7.11.3 Score C

- a back-support must be no higher than 10 cm under the armpits;
- the measurement will be taken in Classification without the athlete wearing shooting equipment (the length is measured from the middle of vertebra C7 - vertebra prominence - until 10 cm under the armpits – axilla - at the rifle supporting side for rifle shooters and the side of the shooting arm for pistol shooters);
- the measurement will be recorded on the Athlete's classification form and License Card as the minimum Visible Free Height.

2.7.11.4 Technical Officials shall measure the Visible Free Height of each athlete and ensure that it is not shorter than the minimum Visible Free Height indicated on the athlete's classification form and Licence Card.

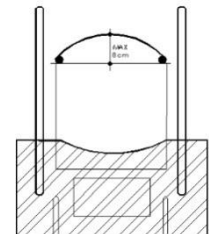
2.7.11.5 A piece of tape will be placed on the athletes' shooting jacket and **the Visible Free Height will be indicated by the bottom edge of the tape.** The tape must be visible at all times.

## 2.8 Shooting Tables

2.8.1 Shooting tables for sitting athletes may:

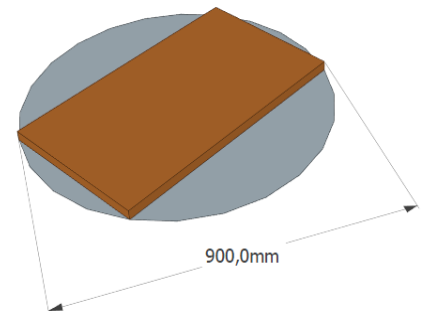
2.8.1.1 either be attached to the shooting chair or free standing;

2.8.1.2 have a small upstanding edge fitted to prevent small items from falling (but in no way may be used for additional stability or support of the athlete);

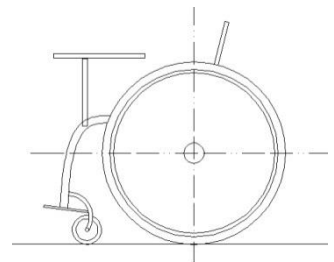


2.8.1.3 be of a size no larger than 90cm in diameter;

2.8.1.4 consist of two or more small individual tables joined or placed together in such a way as to provide one stable platform (on the same horizontal axis), however must not be larger in size (when joined/placed together) than the permitted 90cm diameter;



2.8.1.5 be horizontal or at the same angle as the floor (measured at the centre of the table). A variation of  $\pm 5$  degrees is allowed.

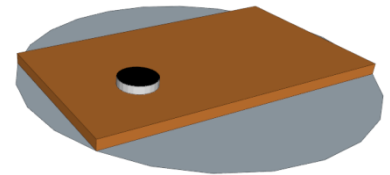


2.8.2 In rifle shooting, the table or board may be upholstered with compressible material of a maximum thickness of 2 cm. Other material on the table must be of uniform thickness for both elbows. It is not permitted to make a hollow in the table or board or in the upholstered material.



2.8.3 The maximum surface for support of the elbow in the kneeling position is 10 cm in diameter. This support can be from:

2.8.3.1 a small shooting table; or



2.8.3.2 an additional mounted support (hereafter ‘10cm diameter block’) to the larger shooting table: a removable board with a diameter of 10 cm and a thickness of at least 20 mm.

2.8.4 The table, if fitted, must not be used to gain support or stability for the body in any way, except for prone position (not allowed to gain stability on the left or right side of the chair with the abdomen).

2.8.5 A separate board or table may be allowed for the shooting stand.

## 2.9 SH2 Support stands

2.9.1 All SH2 athletes will use an approved support stand (see **Appendix 7**) to support the weight of the rifle.

2.9.2 The Classification Panel will assess muscle power in the shooting arm for athletes in sport class SH2 for the purpose of identifying if the Athlete may use a weak or a strong spring on the rifle support.

2.9.3 Depending on the athlete’s assessment score, they will be allocated a subclass; ‘a’ or ‘b’.

2.9.4 This subclass will be recorded on the athlete’s Classification and License Cards and determines which spring the athlete shall use in their support stand:

| Subclass | Spring Characteristics  |
|----------|---|
| a        | WEAK SPRING (white plastic part) = flexibility minimum 35mm   |
| b        | STRONG SPRING (black plastic part) = flexibility minimum 25mm |

2.9.5 The shooting stand may be fixed to the table or on a tripod.

2.9.6 No other support or mechanical devices may be used as a support for the rifle.

2.9.7 No device or substance may be attached to the rifle or the shooting stand in order to hold the rifle in a fixed position in, or against the shooting stand.

- 2.9.8 The athlete's hands must not be placed in front of the spring or interfere with the operation of the spring when firing a shot.
- 2.9.9 The pin and the spring of the shooting stand must be in vertical position, front to back.
- 2.9.10 It is allowed to shorten the bottom part of the support stand. The remaining length needs to be at least 40mm, so that it will be possible to check the flexibility of the support stand during equipment control.
- 2.9.11 **Yoke (rifle holder)**
- 2.9.11.1 The rifle may not contact both sides of the yoke at the same time.
- 2.9.11.2 The yoke must be at least 1 cm wider than the width of the rifle stock.
- 2.9.11.3 It is allowed to add material inside the yoke as long as it is comparable to the surface of a shooting glove and it doesn't interfere with the measurements of the yoke.
- 2.9.12 **Point of balance**
- 2.9.12.1 The point of balance of the rifle must be marked at equipment check. The rifle must be placed  $\pm 5$ cm of its point of balance on the rifle support stand and the total 10cm range must be marked. The complete yoke must be within the 10cm range.
- 2.9.12.2 The point of balance on gas or compressed air rifles will be measured with full containers.
- 2.9.12.3 The total weight of the upper part of the support stand must be less than 200 grams. The spring must be an official IPC Shooting approved model (see **Appendix 7**).
- 2.9.13 **Test bar for spring flexibility (Appendix 7)**
- 2.9.13.1 Weight and tolerances for testing the flexibility of the springs are:
- Bar 1) 250 Grams +2 - 0 (used for zeroing)
  - Bar 2) 720 Grams +0 – 2 (used to test the flexibility)
- 2.9.14 The exact dimensions and specifications of the support stand parts are available on the IPC Shooting website.

### 3 Rifle rules

#### 3.1 Events and times

3.1.1 All event times are in accordance with ISSF and IPC Shooting rules.

3.1.2 IPC Shooting recognised competitions can comprise out of the following rifle events:

| Event | Discipline             | Gender | Class | Shots                                  | Time Electronic Targets | Time Target carriers & pit-operated competitions |
|-------|------------------------|--------|-------|--|-------------------------|--|
| R1    | 10m Air rifle standing | Men    | SH1   | 60                                     | 1:15                    | 1:30   |
| R2    | 10m Air rifle standing | Women  | SH1   | 40                                     | 0:50                    | 1:00   |
| R3    | 10m Air rifle prone    | Mixed  | SH1   | 60                                     | 0:50                    | 1:00   |
| R4    | 10m Air rifle standing | Mixed  | SH2   | 60                                     | 1:15                    | 1:30   |
| R5    | 10m Air rifle prone    | Mixed  | SH2   | 60                                     | 1:00                    | 1:10   |
| R6    | 50m Rifle prone        | Mixed  | SH1   | 60                                     | 0:50                    | 1:00   |
| R7    | 50m Rifle 3 positions  | Men    | SH1   | 40 kneeling<br>40 prone<br>40 standing | 2:45                    | 3:15   |
| R8    | 50m Rifle 3 positions  | Women  | SH1   | 20 kneeling<br>20 prone<br>20 standing | 1:45                    | 2:00   |
| R9    | 50m Rifle prone        | Mixed  | SH2   | 60                                     | 1:00                    | 1:10   |

3.1.3 It is recommended that in events **R3**, R4 & R5, at least every third firing point is left vacant to ensure position changes can be conducted without disturbing other athletes during the round.

## 3.2 Shooting positions

### 3.2.1 Kneeling

3.2.1.1 SH1A athletes with lower limb deficiency are able to compete in the kneeling position as per ISSF rules using **prosthesis or** a stool of 35cm maximum height (if marked on the classification card) to support the rifle-supporting leg.

3.2.1.2 If a shooting chair and table is used:

- (a) the competitor must comply with all rules regarding the use of Shooting Chairs and tables in kneeling positions (see rules 2.7 & 2.8);
- (b) only one elbow must rest on the table or board and the body must be well clear of the board;
- (c) the supporting forearm must form an angle of not less than 30 degrees from the horizontal. Only the point of the elbow may be supported on the 10cm Diameter Block;
- (d) no support may be gained from the board/table frame/arm rests;
- (e) the arm(s) of the Shooting Chair (which are not used to attached the table/board to) must be removed.

### 3.2.2 Prone

3.2.2.1 The athlete's chest and/or abdomen may rest on the board or table **(provided that the athlete is not also in supporting contact with the backrest).**

3.2.2.2 **Should an athlete have an uneven arm length, it is permitted to use a compensating block (under the shorter limb). This shall be assessed by the Classification Panel and marked on the athlete's Classification and License Cards is permitted.**

3.2.2.3 **50m Rifle Prone:** athletes may choose to compete either in the position as described in the ISSF rules, or with the use of a shooting chair and table.

3.2.2.4 **10m Air Rifle prone:** competitors may not lie down, but must use a shooting chair and table.

### 3.2.2.5 SH1

- (a) Both elbows must rest on the table or board;
- (b) The upper arms must not touch the table or board (it is recommended that the part of the table below the upper arm is removed);
- (c) The forearm must not form an angle of less than 30 degrees from the horizontal, measured from the axis of the forearm;
- (d) In the case of upper limb deficiency athletes: it is allowed to hold the rifle with a normal prosthesis, as long as the prosthesis does not grip the rifle and does not have a fixed elbow.

### 3.2.2.6 SH2

- (a) Use of a sling is prohibited;
- (b) Both elbows (if possible, according to the athlete's impairment) must rest on the table or board;
- (c) The upper arms must not touch the table or board (it is recommended that the part of the table below the upper arm is removed).

## 3.2.3 Standing

3.2.3.1 Athletes with a trunk function score A may choose to compete free-standing (if so, they must stand free of any artificial support, with the exception of medically certified normal prosthesis/orthosis).

3.2.3.2 The arms and sideboards of the shooting chair and the shooting table must be removed (if the construction of the wheelchair requires a sideboard, the height of this may not exceed the height of the top of the wheel).

3.2.3.3 When shooting from a high stool, the athlete must be able to remove their feet off the floor, without losing balance and without moving the upper body.

### 3.2.3.4 SH1

- (a) The rifle must be held with the arms only, without support (as per ISSF).
- (b) No part of the arms may come in contact with any part of the shooting chair.
- (c) Not any part of the elbows is to make contact with the lap, wheel or gain support other than from the ribcage, hip or abdomen.

### 3.2.3.5 SH2

- (a) In case of arm-amputee athletes it is not allowed to hold (touch) the rifle with the prosthesis in standing position;
- (b) Athletes must clearly and visibly de-shoulder (removal of physical contact between butt plate and shoulder) the rifle in between shots.

## 3.3 Loading Assistants (SH2 only)

- 3.3.1 Loading assistants refers only to SH2 athletes competing in SH2 events, and are allowed only as described in the IPC Shooting Classification Rules and Regulations.
- 3.3.2 A Classification Panel makes the decision as to whether an athlete is to be allowed a loading-assistant and the outcome will be marked on the classification form and the IPC Shooting License card.
- 3.3.3 The Loading Assistant must:
  - 3.3.3.1 not speak or give signals during the match;
  - 3.3.3.2 only load the rifle and/or adjust the sights at the request of the athlete, not support the rifle;
  - 3.3.3.3 be at least 1 metre behind the athlete between shots (exceptions can be made at the discretion of the Jury).

## 4 Pistol rules

### 4.1 Events and times

4.1.1 All event times are in accordance with ISSF and IPC Shooting rules.

4.1.2 IPC Shooting recognised competitions can comprise out of the following pistol events:

| Event | Discipline              | Gender | Class | Shots | Time Electronic Targets | Time Target carriers & pit-operated competitions |
|-------|-------------------------|--------|-------|-------|-------------------------|--|
| P1    | 10m Air pistol          | Men    | SH1   | 60    | 1:15                    | 1:30   |
| P2    | 10m Air pistol          | Women  | SH1   | 40    | 0:50                    | 1:00   |
| P3    | 25m Pistol              | Mixed  | SH1   | 60    | -                       | -  |
| P4    | 50m Pistol              | Mixed  | SH1   | 60    | 1:30                    | 1:45   |
| P5    | 10m Air Pistol Standard | Mixed  | SH1   | 40-   | -                       | -  |

4.1.3 P3 event is to be shot according to ISSF 25m Pistol rules.

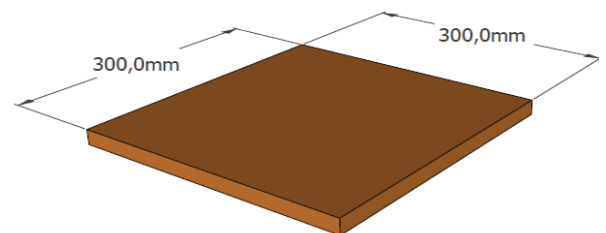
4.1.3.1 In finals, between the elimination and medal matches, pistols must be safely stored in storage boxes (as per ISSF rules). If storage boxes are not provided by the LOC, pistols must be safely stored in their cases.

4.1.4 P5 (10m Air Pistol Standard) event is to be shot in accordance to the rules as outlined in **Appendix 8**.

## 4.2 Shooting position

- 4.2.1 Athletes with a trunk function score A may choose to compete free-standing. If so, they must stand free of any artificial support, with the exception of medically certified normal prosthesis/orthosis.
- 4.2.2 The arms and sideboards of the Shooting Chair and the shooting table must be removed (if the construction of the wheelchair requires a sideboard, the height of this may not exceed the height of the top of the wheel).
- 4.2.3 The non-shooting arm/hand must not be on the shooting chair or in a position to give unfair advantage over others (see ISSF rule 6.7.2).
- 4.2.4 In the event that the bench is fixed to the ground so the athlete cannot get close enough to rest and load the pistol or the bench is designed in such a way that means the athletes' shooting position is compromised and cannot safely operate the loading procedure, the following is permitted:

- 4.2.4.1 use of an small additional table to use for the loading procedure (maximum size: 30cm x 30cm);



- 4.2.4.2 the height of the additional table may be no higher than 100cm;

- 4.2.4.3 the additional table can in no way provide additional support to the athlete in the shooting position;

- 4.2.4.4 the situation will be assessed before each competition by the TD and it will be confirmed during the technical meeting if the introduction of the additional small table will be permitted.

## 4.3 Loading device (safety)

- 4.3.1 Loading safety must follow the ISSF rules, with the exception of 4.3.2 below.
- 4.3.2 A device to hold the pistol to enable it to be loaded or unloaded safely must be used at all times on the range if specified on the athlete's Classification and License Cards.
- 4.3.2.1 The loading device will be checked at equipment control by an IPC Shooting Judge to ensure safe handling.



## 5 Falling Target events

### 5.1 Competition Format

5.1.1 IPC Shooting recognised competitions can comprise out of the following Falling Target events:

| Event | Discipline             | Class | Gender |
|-------|------------------------|-------|--------|
| FTR1  | Falling Targets Rifle  | SH1   | Mixed  |
| FTR2  | Falling Targets Rifle  | SH2   | Mixed  |
| FTP   | Falling Targets Pistol | SH1   | Mixed  |

5.1.2 All events are shot at a distance of 10m in the standing position, with a standard Air Rifle/Pistol.

5.1.3 The targets are biathlon-type systems with 5 targets. The size of the target inserts are as follows (from left to right):

5.1.3.1 FTR1 & FTR2: 6mm – 6mm – 5mm – 5 mm – 4 mm

5.1.3.2 FTP: 24 mm – 24 mm – 16 mm – 16 mm – 11 mm

5.1.4 The competition is run as a pool group competition with a series of progressive rounds:

5.1.4.1 Each pool group consists of a maximum of 4 athletes that compete against each other simultaneously;

5.1.4.2 In each round, the pool group competes over 2 series of 5 shots (with a time limit of 2 minutes 30 seconds per series)

(a) After each series of 5 shots the fallen targets of each athlete in the pool group must be counted, announced and recorded;

(b) If an athlete fails to shoot within the allowed time limit, the shot(s) is counted as zero.

5.1.4.3 The 2 athletes with the highest scores per pool group will progress to the next round of competition

- 5.1.4.4 In case of a tie: a shoot-off (on the extreme right target) will determine the winner:
- (a) FTR events:
    - after 3 unsuccessful attempts on the extreme right target without decision, attempt the next larger size target (from Right to Left) and so on;
    - after 3 successful attempts on the extreme right target without decision, times for the shoot-off change from 30 seconds to 20 seconds.
  - (b) FTP events:
    - after 3 attempts on the extreme left target without decision, the shoot off time changes from 30 seconds to 20 seconds.
- 5.1.4.5 The competition will continue to progress until only one pool group of 4 athletes remain. These four (4) athletes will compete in a final round to decide the competition medallists;
- 5.1.4.6 For examples of competition progression see **Appendix 9**.
- 5.1.5 For World and Regional Championships:
- 5.1.5.1 The composition of the different pool groups will be based upon the current IPC Shooting World or Regional ranking lists:
- (a) **FTP**: using ranking lists from events P1 and P2 (combined);
  - (b) **FTR1**: using ranking lists from events R1 and R2 (combined);
  - (c) **FTR2**: using ranking list from event R4.
- 5.1.5.2 Following the Final Entry Deadline, event entries will be validated by the IPC Shooting Office: entered athletes found to be not featured on the relevant ranking list will have their event entry cancelled (NPCs will be notified accordingly);
- 5.1.5.3 The highest ranked athlete (by points) will start in pool group 1; the second ranked athlete in the last pool group; the third ranked athlete starts in pool group 2; and so on (see **Appendix 9** for draw programme examples).

## 5.2 Commands

### 5.2.1 Preparation Time

- 5.2.1.1 For the first round of competition: athletes have 5 minutes for preparation and sighting shots;
- 5.2.1.2 For the later rounds of competition (excluding the Final): athletes have 3 minutes preparation time at the beginning of each round;
- 5.2.1.3 For the Final round: athletes have 5 minutes for preparation and sighting shots.

### 5.2.2 Competition commands

- 5.2.2.1 The commands for the competition are as follows:

| Command                                    | Explanation              |
|--|--------------------------|
| Preparation Time start now                 | Start 5 or 3 minutes     |
| 30 seconds                                 | After 4:30min or 2:30min |
| STOP                                       | End of preparation time  |
| Change Targets and take out 5 pellets      |                          |
| For the first/next competition series LOAD |                          |
| ATTENTION, START                           | Start 1st round          |
| STOP                                       | After 2:30min            |
| Results announcement                       |                          |
| Change Targets and take out 5 pellets      |                          |
| ATTENTION, START                           | Start 2nd round          |
| STOP                                       | After 2:30min            |
| Results announcement                       |                          |

## 6 Team events

### 6.1 Events and format

- 6.1.1 There will be team events in each event (except Falling Targets) as numbers permit, except for at the Paralympic Games.
- 6.1.2 Team scores will be calculated by adding the individual event scores of the athletes within a team together (i.e. no separate team matches will be shot).

### 6.2 Team size

- 6.2.1 All teams must consist of three (3) competitors.

### 6.3 Maximum number of teams per NPC

- 6.3.1 Level 1 competitions: maximum two (2) teams per NPC
- 6.3.2 Level 2 and 3 competitions: only one (1) team per NPC

### 6.4 Event viability

- 6.4.1 Minimum **three (3) teams** must be on the start list of that event (after the final entries deadline), otherwise the event is automatically cancelled.
- 6.4.2 **If only three (3) teams participate in the event, medals will be awarded according to the 'minus-one' rule (e.g only gold and silver would be awarded).**

## **7 Visually Impaired (VI) Shooting events**

This section is to be completed at a later stage if and when a classification system is compliant with the Classification Code and agreed by IPC.

## 8 Medical considerations

### 8.1 Return to Field of Play Decisions

- 8.1.1 The overriding priority at all times should be to safeguard the health and safety of athletes. The outcome of the competition should never influence such decisions.
- 8.1.2 It is the responsibility of the team management to determine whether a sick or injured athlete may continue in or return to the competition.

### 8.2 Epilepsy

- 8.2.1 It is the duty of all athletes and their NPCs to declare if the athlete has ever suffered any form of epileptic fit/seizure or epilepsy-related episode.
- 8.2.2 All athletes must complete the Athlete Epilepsy Declaration Form (Appendix 10) which must be uploaded to the athlete's SDMS profile by 01 February each year.
- 8.2.3 The Athlete Epilepsy Declaration Form confirms if the athlete has epilepsy, and if so, that the epilepsy is stable, and identifies what type of epilepsy the athlete suffers from.
- 8.2.4 If the Athlete declares that they have been medically diagnosed with epilepsy and have had an epileptic episode in the 12 month period, the athlete's participation in IPC Shooting events shall be subject to approval by the IPC Medical Committee.
- 8.2.5 If at any time an athlete suffers any form of epileptic fit/seizure or epilepsy-related episode, an updated Athlete Epilepsy Declaration must immediately be submitted to IPC Shooting.

### 8.3 Pacemakers

- 8.3.1 The use of pacemakers by athletes in IPC Shooting is subject to approval by the IPC Medical Committee.
- 8.3.2 Any athlete that uses a pacemaker therefore is required to submit a medical file to the IPC Medical Committee ([medical@paralympic.org](mailto:medical@paralympic.org)), detailing the pathology and technical details of the device implemented.
- 8.3.3 The IPC Medical Committee shall determine whether the device is approved and this decision is final. The Athlete will only be entitled to use this approved device, and any change must be notified to IPC Shooting immediately.
- 8.3.4 Failure to notify IPC Shooting of the use of a pacemaker results in automatic disqualification of the athlete and any results obtained in competition where a pacemaker was used.

## 9 Technical Officials

### 9.1 General

- 9.1.1 For all IPC Shooting recognised competitions the ISSF requirements in relation to Chief Range Officer and Range Officers apply.
- 9.1.2 For the requirements of Education, training, certification and professional development of IPC Shooting Officials see the IPC Shooting Judge's Manual ([www.ipc-shooting.org/officials/judges](http://www.ipc-shooting.org/officials/judges)).
- 9.1.3 At IPC recognised competitions, IPC Shooting shall appoint the Technical Delegate (or Chief Judge in a Level 1 competition, as appropriate) and an appropriate minimum number of IPC Shooting International Technical Officials (ITO) to run the competition.
- 9.1.4 The number of ITOs required is calculated and verified by IPC Shooting on a case-by-case basis. However, recommended guidelines are available in **Appendix 1**.

### 9.2 Duties and functions of ITOs

#### 9.2.1 Technical Delegate (TD)

- 9.2.1.1 The function of Technical Delegate can be fulfilled only by a Supervising Judge (IPC Shooting 'A' Licence holder).
- 9.2.1.2 The Technical Delegate is ultimately responsible for all technical matters of the competition, including:
  - (a) checking the venue, in accordance to the IPC Shooting Technical Delegate Checklist (IPC Shooting Judges' Manual Appendix 1);
  - (b) checking and controlling all the competition information (e.g. competition schedule, final entries list);
  - (c) assigning the exact responsibilities of each party prior to competition;
  - (d) supervising all ITOs during the competition;
  - (e) supervising and reviewing the random allocation of athletes to firing points and relays (may be done either by the drawing of the lots or with a computer programme suited to this purpose).



9.2.1.3 The final entries sent by IPC SH office must be fully respected and if any anomaly is observed by the TD during their review they must communicate this to IPC SH office immediately and take further actions in accordance with the rules if necessary.

## 9.2.2 **Judges**

9.2.2.1 The duties and functions of the IPC Shooting Judges are as described in the IPC Shooting Judges' Manual.

## 9.3 **Education, Certification and Development of Officials**

9.3.1 IPC Shooting has developed specific pathways for the education and certification of the Technical Officials. Only IPC Shooting can certify IPC Shooting Technical Officials at the various levels.

9.3.2 The minimum qualification in order to train to become an IPC Shooting Technical Official is to hold a valid ISSF Judges "B" License.

9.3.3 For further guidance regarding the education, certification and development of officials see IPC Shooting Judges' Manual.

# APPENDIX 1

## Requirements and designation of competitions

### 1 General requirements

|                                 | <b>Level 3</b><br>IPC competitions  | <b>Level 2</b><br>IPC Shooting Sanctioned Competitions                                | <b>Level 1</b><br>IPC Shooting Approved Competitions  |
|---------------------------------|---|---|---|
| <b>Legal terms of reference</b> | Host Contract, Memorandum Of Understanding (MOU)  | World Cup Application and Agreement of Competition Guidelines                         | Competition Application   |
| <b>Athlete licensing</b>        | All participating athletes must be licensed   | All participating athletes must be licensed   | All participating athletes must be licensed   |
| <b>Results recognition</b>      | Results are recognised for Rankings and Records   | Results are recognised for Rankings and Records                                       | Results are recognised for Rankings, but <b>not</b> Records                                       |
| <b>Fee</b>                      | Application and Signing fees  | Sanctioning fee   | Approval fee  |
| <b>Officiating</b>              | Technical Delegate required, full panel of International Technical Officials required                 | Technical Delegate required, full panel of International Technical Officials required | Technical Delegate/Chief Judge required; panel of International Technical Officials as prescribed |
| <b>Classification</b>           | Full International panels required  | Full International panels required, or as prescribed by IPC Shooting                  | Full International panels preferred, or as prescribed by IPC Shooting                             |
| <b>Doping control</b>           | IPC results management subject to Doping Control Agreement  | IPC results management subject to Doping Control Agreement                            | Run under National Jurisdiction or Major Event Organiser Jurisdiction, Education encouraged       |
| <b>Media and communications</b> | Service Level Agreement between IPC and LOC   | Service Level Agreement between IPC and LOC   | No set requirements   |
| <b>Broadcasting</b>             | (PG) – Games Broadcasting strategy applies<br>(WCH, RCH) – Broadcasting agreement between IPC and LOC | Broadcasting agreement between IPC and LOC  | No set requirements   |

|                          | <b>Level 3</b>   | <b>Level 2</b>   | <b>Level 1</b>  |
|--------------------------|--|--|---|
| <b>Branding</b>          | (PG) - Games Branding policies (WCH,RCH) – Branding guidelines apply, IPC Shooting logo and Competition title usage is mandatory   | Branding guidelines apply. Usage of IPC Shooting logo and official competition title (“[Year] IPC Shooting World Cup [City]”) is mandatory | “An IPC Shooting Approved Competition” alongside the competition name |
| <b>Commercial rights</b> | (PG) – Games Marketing condition apply (WCH, RCH) – Commercial rights granted to LOC, LOC to offer first right of refuse IPC partners, IPC retains% of Marketing inventory | Commercial rights granted to LOC, LOC to offer first right of refuse IPC partners, IPC retains% of Marketing inventory                     | No set requirements   |
| <b>Publications</b>      | To be approved by IPC  | To be approved by IPC  | No set requirements but should be approved by IPC where possible      |
| <b>Protocol</b>          | Protocol Guidelines apply  | Protocol Guidelines apply  | No set requirements   |
| <b>Services</b>          | Standards apply as set out in Manuals, Guidelines and/or MOU   | Standards apply as set out in Competition Guidelines   | Standards set by LOC  |
| <b>Look</b>              | To be directed and approved by IPC   | To be approved by IPC  | No set requirements   |
| <b>Technology</b>        | PRIS requirements apply, OVR supplied through Games or IPC Shooting supplier   | OVR supplied through IPC Shooting supplier   | OVR supplied through LOC’s Competition supplier                       |
| <b>Research</b>          | IPC Research protocols apply   | IPC Research protocols apply   | IPC Research protocols apply  |

## 2 Specific requirements

|   | Level 3<br>IPC competitions   |  | Level 2<br>IPC Shooting Sanctioned<br>Competitions  | Level 1<br>IPC Shooting Approved<br>Competitions |
|---|---|--|---|--|
|   | <i>Paralympic Games</i>   | <i>World/Regional<br/>Championships</i>  | <i>World Cups</i>   | <i>International<br/>Competitions</i>            |
| <b>Events programme</b>   | Set by IPC Shooting   | Programme 1 is mandatory   | Programme 1<br>(or 2/ 3, if approved by IPC SH)   | Programme 1, 2, or 3                             |
| <b>Entry level</b>  | Direct Slots<br>2 MQS for 1st event<br>1MQS for additional event(s) | 1 MQS per event  | No MQS required   | No MQS required                                  |
| <b>Event viability</b> (min.<br>number of countries<br>per event)               | No less than 4 per event  | No less than 4 per event   | Individual events: no less than 4<br>per event;<br>Team events: no less than 3 per<br>event                               | No less than 3 per event                         |
| <b>Output</b>   | Results<br>Records<br>Rankings<br>MQS                               | Results<br>Records<br>Rankings<br>MQS<br>Direct Slots (World<br>Championships) | Results<br>Records<br>Rankings<br>MQS<br>Direct Slots (if World Cup is<br>designated for Paralympic Direct<br>Allocation) | Results<br>Rankings<br>MQS                       |
| <b>Finals</b>   | In all events   | In all events (except R9 &<br>P5)  | In all events (except R9 & P5)  | In all events (except R9 & P5)                   |
| <b>Electronic targets</b><br><i>(from IPC SH Official<br/>Results Provider)</i> | Mandatory   | Mandatory  | Mandatory   | Optional   |

|   | Level 3 (Paralympic Games)  | Level 3 (Championships)                                 | Level 2  | Level 1  |   |             |   |            |   |                        |   |                               |   |                |   |                                   |                |   |      |             |                    |   |             |   |            |   |                        |   |                               |   |                |   |                                   |                |  |      |             |                    |   |             |   |            |   |                        |   |                               |   |                 |   |                                   |               |      |             |                    |   |               |   |                                   |               |  |      |             |   |   |             |   |            |   |                        |   |                                   |               |      |             |             |   |               |   |                                   |               |
|---|---|---|--|--|---|-------------|---|------------|---|------------------------|---|-------------------------------|---|----------------|---|-----------------------------------|----------------|---|------|-------------|--------------------|---|-------------|---|------------|---|------------------------|---|-------------------------------|---|----------------|---|-----------------------------------|----------------|--|------|-------------|--------------------|---|-------------|---|------------|---|------------------------|---|-------------------------------|---|-----------------|---|-----------------------------------|---------------|------|-------------|--------------------|---|---------------|---|-----------------------------------|---------------|--|------|-------------|---|---|-------------|---|------------|---|------------------------|---|-----------------------------------|---------------|------|-------------|-------------|---|---------------|---|-----------------------------------|---------------|
| <b>Technical Delegate</b>                       | Mandatory   | Mandatory   | Mandatory  | Programme 1: Mandatory<br>Programme 2/3: only Chief Judge                      |   |             |   |            |   |                        |   |                               |   |                |   |                                   |                |   |      |             |                    |   |             |   |            |   |                        |   |                               |   |                |   |                                   |                |  |      |             |                    |   |             |   |            |   |                        |   |                               |   |                 |   |                                   |               |      |             |                    |   |               |   |                                   |               |  |      |             |   |   |             |   |            |   |                        |   |                                   |               |      |             |             |   |               |   |                                   |               |
| <b>International Technical Officials (ITOs)</b> | <table border="1"> <thead> <tr> <th>Role</th> <th>No. of ITOs</th> </tr> </thead> <tbody> <tr> <td>Technical Delegate</td> <td>1</td> </tr> <tr> <td>Pistol Jury</td> <td>3</td> </tr> <tr> <td>Rifle Jury</td> <td>3</td> </tr> <tr> <td>Equipment Control Jury</td> <td>3</td> </tr> <tr> <td>Classification (Results) Jury</td> <td>3</td> </tr> <tr> <td>Jury of Appeal</td> <td>1</td> </tr> <tr> <td><b>Total Appointed By IPC SH:</b></td> <td><b>14 ITOs</b></td> </tr> </tbody> </table> | Role  | No. of ITOs  | Technical Delegate   | 1 | Pistol Jury | 3 | Rifle Jury | 3 | Equipment Control Jury | 3 | Classification (Results) Jury | 3 | Jury of Appeal | 1 | <b>Total Appointed By IPC SH:</b> | <b>14 ITOs</b> | <table border="1"> <thead> <tr> <th>Role</th> <th>No. of ITOs</th> </tr> </thead> <tbody> <tr> <td>Technical Delegate</td> <td>1</td> </tr> <tr> <td>Pistol Jury</td> <td>3</td> </tr> <tr> <td>Rifle Jury</td> <td>3</td> </tr> <tr> <td>Equipment Control Jury</td> <td>3</td> </tr> <tr> <td>Classification (Results) Jury</td> <td>3</td> </tr> <tr> <td>Jury of Appeal</td> <td>1</td> </tr> <tr> <td><b>Total Appointed By IPC SH:</b></td> <td><b>14 ITOs</b></td> </tr> </tbody> </table> | Role | No. of ITOs | Technical Delegate | 1 | Pistol Jury | 3 | Rifle Jury | 3 | Equipment Control Jury | 3 | Classification (Results) Jury | 3 | Jury of Appeal | 1 | <b>Total Appointed By IPC SH:</b> | <b>14 ITOs</b> | <p><b>Programme 1:</b></p> <table border="1"> <thead> <tr> <th>Role</th> <th>No. of ITOs</th> </tr> </thead> <tbody> <tr> <td>Technical Delegate</td> <td>1</td> </tr> <tr> <td>Pistol Jury</td> <td>2</td> </tr> <tr> <td>Rifle Jury</td> <td>2</td> </tr> <tr> <td>Equipment Control Jury</td> <td>1</td> </tr> <tr> <td>Classification (Results) Jury</td> <td>2</td> </tr> <tr> <td>Chair of Juries</td> <td>1</td> </tr> <tr> <td><b>Total Appointed By IPC SH:</b></td> <td><b>9 ITOs</b></td> </tr> </tbody> </table> <p><b>Programme 2 or 3:</b></p> <table border="1"> <thead> <tr> <th>Role</th> <th>No. of ITOs</th> </tr> </thead> <tbody> <tr> <td>Technical Delegate</td> <td>1</td> </tr> <tr> <td>Combined Jury</td> <td>3</td> </tr> <tr> <td><b>Total Appointed By IPC SH:</b></td> <td><b>4 ITOs</b></td> </tr> </tbody> </table> | Role | No. of ITOs | Technical Delegate | 1 | Pistol Jury | 2 | Rifle Jury | 2 | Equipment Control Jury | 1 | Classification (Results) Jury | 2 | Chair of Juries | 1 | <b>Total Appointed By IPC SH:</b> | <b>9 ITOs</b> | Role | No. of ITOs | Technical Delegate | 1 | Combined Jury | 3 | <b>Total Appointed By IPC SH:</b> | <b>4 ITOs</b> | <p><b>Programme 1:</b></p> <table border="1"> <thead> <tr> <th>Role</th> <th>No. of ITOs</th> </tr> </thead> <tbody> <tr> <td>Technical Delegate (Jury of Appeal Chief Judge)</td> <td>1</td> </tr> <tr> <td>Pistol Jury</td> <td>1</td> </tr> <tr> <td>Rifle Jury</td> <td>1</td> </tr> <tr> <td>Equipment Control Jury</td> <td>1</td> </tr> <tr> <td><b>Total Appointed By IPC SH:</b></td> <td><b>4 ITOs</b></td> </tr> </tbody> </table> <p><b>Programme 2 or 3:</b></p> <table border="1"> <thead> <tr> <th>Role</th> <th>No. of ITOs</th> </tr> </thead> <tbody> <tr> <td>Chief Judge</td> <td>1</td> </tr> <tr> <td>Combined Jury</td> <td>2</td> </tr> <tr> <td><b>Total Appointed By IPC SH:</b></td> <td><b>3 ITOs</b></td> </tr> </tbody> </table> | Role | No. of ITOs | Technical Delegate (Jury of Appeal Chief Judge) | 1 | Pistol Jury | 1 | Rifle Jury | 1 | Equipment Control Jury | 1 | <b>Total Appointed By IPC SH:</b> | <b>4 ITOs</b> | Role | No. of ITOs | Chief Judge | 1 | Combined Jury | 2 | <b>Total Appointed By IPC SH:</b> | <b>3 ITOs</b> |
|   | Role  | No. of ITOs   |  |  |   |             |   |            |   |                        |   |                               |   |                |   |                                   |                |   |      |             |                    |   |             |   |            |   |                        |   |                               |   |                |   |                                   |                |  |      |             |                    |   |             |   |            |   |                        |   |                               |   |                 |   |                                   |               |      |             |                    |   |               |   |                                   |               |  |      |             |   |   |             |   |            |   |                        |   |                                   |               |      |             |             |   |               |   |                                   |               |
| Technical Delegate                              | 1   |   |  |  |   |             |   |            |   |                        |   |                               |   |                |   |                                   |                |   |      |             |                    |   |             |   |            |   |                        |   |                               |   |                |   |                                   |                |  |      |             |                    |   |             |   |            |   |                        |   |                               |   |                 |   |                                   |               |      |             |                    |   |               |   |                                   |               |  |      |             |   |   |             |   |            |   |                        |   |                                   |               |      |             |             |   |               |   |                                   |               |
| Pistol Jury                                     | 3   |   |  |  |   |             |   |            |   |                        |   |                               |   |                |   |                                   |                |   |      |             |                    |   |             |   |            |   |                        |   |                               |   |                |   |                                   |                |  |      |             |                    |   |             |   |            |   |                        |   |                               |   |                 |   |                                   |               |      |             |                    |   |               |   |                                   |               |  |      |             |   |   |             |   |            |   |                        |   |                                   |               |      |             |             |   |               |   |                                   |               |
| Rifle Jury                                      | 3   |   |  |  |   |             |   |            |   |                        |   |                               |   |                |   |                                   |                |   |      |             |                    |   |             |   |            |   |                        |   |                               |   |                |   |                                   |                |  |      |             |                    |   |             |   |            |   |                        |   |                               |   |                 |   |                                   |               |      |             |                    |   |               |   |                                   |               |  |      |             |   |   |             |   |            |   |                        |   |                                   |               |      |             |             |   |               |   |                                   |               |
| Equipment Control Jury                          | 3   |   |  |  |   |             |   |            |   |                        |   |                               |   |                |   |                                   |                |   |      |             |                    |   |             |   |            |   |                        |   |                               |   |                |   |                                   |                |  |      |             |                    |   |             |   |            |   |                        |   |                               |   |                 |   |                                   |               |      |             |                    |   |               |   |                                   |               |  |      |             |   |   |             |   |            |   |                        |   |                                   |               |      |             |             |   |               |   |                                   |               |
| Classification (Results) Jury                   | 3   |   |  |  |   |             |   |            |   |                        |   |                               |   |                |   |                                   |                |   |      |             |                    |   |             |   |            |   |                        |   |                               |   |                |   |                                   |                |  |      |             |                    |   |             |   |            |   |                        |   |                               |   |                 |   |                                   |               |      |             |                    |   |               |   |                                   |               |  |      |             |   |   |             |   |            |   |                        |   |                                   |               |      |             |             |   |               |   |                                   |               |
| Jury of Appeal                                  | 1   |   |  |  |   |             |   |            |   |                        |   |                               |   |                |   |                                   |                |   |      |             |                    |   |             |   |            |   |                        |   |                               |   |                |   |                                   |                |  |      |             |                    |   |             |   |            |   |                        |   |                               |   |                 |   |                                   |               |      |             |                    |   |               |   |                                   |               |  |      |             |   |   |             |   |            |   |                        |   |                                   |               |      |             |             |   |               |   |                                   |               |
| <b>Total Appointed By IPC SH:</b>               | <b>14 ITOs</b>  |   |  |  |   |             |   |            |   |                        |   |                               |   |                |   |                                   |                |   |      |             |                    |   |             |   |            |   |                        |   |                               |   |                |   |                                   |                |  |      |             |                    |   |             |   |            |   |                        |   |                               |   |                 |   |                                   |               |      |             |                    |   |               |   |                                   |               |  |      |             |   |   |             |   |            |   |                        |   |                                   |               |      |             |             |   |               |   |                                   |               |
| Role  | No. of ITOs   |   |  |  |   |             |   |            |   |                        |   |                               |   |                |   |                                   |                |   |      |             |                    |   |             |   |            |   |                        |   |                               |   |                |   |                                   |                |  |      |             |                    |   |             |   |            |   |                        |   |                               |   |                 |   |                                   |               |      |             |                    |   |               |   |                                   |               |  |      |             |   |   |             |   |            |   |                        |   |                                   |               |      |             |             |   |               |   |                                   |               |
| Technical Delegate                              | 1   |   |  |  |   |             |   |            |   |                        |   |                               |   |                |   |                                   |                |   |      |             |                    |   |             |   |            |   |                        |   |                               |   |                |   |                                   |                |  |      |             |                    |   |             |   |            |   |                        |   |                               |   |                 |   |                                   |               |      |             |                    |   |               |   |                                   |               |  |      |             |   |   |             |   |            |   |                        |   |                                   |               |      |             |             |   |               |   |                                   |               |
| Pistol Jury                                     | 3   |   |  |  |   |             |   |            |   |                        |   |                               |   |                |   |                                   |                |   |      |             |                    |   |             |   |            |   |                        |   |                               |   |                |   |                                   |                |  |      |             |                    |   |             |   |            |   |                        |   |                               |   |                 |   |                                   |               |      |             |                    |   |               |   |                                   |               |  |      |             |   |   |             |   |            |   |                        |   |                                   |               |      |             |             |   |               |   |                                   |               |
| Rifle Jury                                      | 3   |   |  |  |   |             |   |            |   |                        |   |                               |   |                |   |                                   |                |   |      |             |                    |   |             |   |            |   |                        |   |                               |   |                |   |                                   |                |  |      |             |                    |   |             |   |            |   |                        |   |                               |   |                 |   |                                   |               |      |             |                    |   |               |   |                                   |               |  |      |             |   |   |             |   |            |   |                        |   |                                   |               |      |             |             |   |               |   |                                   |               |
| Equipment Control Jury                          | 3   |   |  |  |   |             |   |            |   |                        |   |                               |   |                |   |                                   |                |   |      |             |                    |   |             |   |            |   |                        |   |                               |   |                |   |                                   |                |  |      |             |                    |   |             |   |            |   |                        |   |                               |   |                 |   |                                   |               |      |             |                    |   |               |   |                                   |               |  |      |             |   |   |             |   |            |   |                        |   |                                   |               |      |             |             |   |               |   |                                   |               |
| Classification (Results) Jury                   | 3   |   |  |  |   |             |   |            |   |                        |   |                               |   |                |   |                                   |                |   |      |             |                    |   |             |   |            |   |                        |   |                               |   |                |   |                                   |                |  |      |             |                    |   |             |   |            |   |                        |   |                               |   |                 |   |                                   |               |      |             |                    |   |               |   |                                   |               |  |      |             |   |   |             |   |            |   |                        |   |                                   |               |      |             |             |   |               |   |                                   |               |
| Jury of Appeal                                  | 1   |   |  |  |   |             |   |            |   |                        |   |                               |   |                |   |                                   |                |   |      |             |                    |   |             |   |            |   |                        |   |                               |   |                |   |                                   |                |  |      |             |                    |   |             |   |            |   |                        |   |                               |   |                 |   |                                   |               |      |             |                    |   |               |   |                                   |               |  |      |             |   |   |             |   |            |   |                        |   |                                   |               |      |             |             |   |               |   |                                   |               |
| <b>Total Appointed By IPC SH:</b>               | <b>14 ITOs</b>  |   |  |  |   |             |   |            |   |                        |   |                               |   |                |   |                                   |                |   |      |             |                    |   |             |   |            |   |                        |   |                               |   |                |   |                                   |                |  |      |             |                    |   |             |   |            |   |                        |   |                               |   |                 |   |                                   |               |      |             |                    |   |               |   |                                   |               |  |      |             |   |   |             |   |            |   |                        |   |                                   |               |      |             |             |   |               |   |                                   |               |
| Role  | No. of ITOs   |   |  |  |   |             |   |            |   |                        |   |                               |   |                |   |                                   |                |   |      |             |                    |   |             |   |            |   |                        |   |                               |   |                |   |                                   |                |  |      |             |                    |   |             |   |            |   |                        |   |                               |   |                 |   |                                   |               |      |             |                    |   |               |   |                                   |               |  |      |             |   |   |             |   |            |   |                        |   |                                   |               |      |             |             |   |               |   |                                   |               |
| Technical Delegate                              | 1   |   |  |  |   |             |   |            |   |                        |   |                               |   |                |   |                                   |                |   |      |             |                    |   |             |   |            |   |                        |   |                               |   |                |   |                                   |                |  |      |             |                    |   |             |   |            |   |                        |   |                               |   |                 |   |                                   |               |      |             |                    |   |               |   |                                   |               |  |      |             |   |   |             |   |            |   |                        |   |                                   |               |      |             |             |   |               |   |                                   |               |
| Pistol Jury                                     | 2   |   |  |  |   |             |   |            |   |                        |   |                               |   |                |   |                                   |                |   |      |             |                    |   |             |   |            |   |                        |   |                               |   |                |   |                                   |                |  |      |             |                    |   |             |   |            |   |                        |   |                               |   |                 |   |                                   |               |      |             |                    |   |               |   |                                   |               |  |      |             |   |   |             |   |            |   |                        |   |                                   |               |      |             |             |   |               |   |                                   |               |
| Rifle Jury                                      | 2   |   |  |  |   |             |   |            |   |                        |   |                               |   |                |   |                                   |                |   |      |             |                    |   |             |   |            |   |                        |   |                               |   |                |   |                                   |                |  |      |             |                    |   |             |   |            |   |                        |   |                               |   |                 |   |                                   |               |      |             |                    |   |               |   |                                   |               |  |      |             |   |   |             |   |            |   |                        |   |                                   |               |      |             |             |   |               |   |                                   |               |
| Equipment Control Jury                          | 1   |   |  |  |   |             |   |            |   |                        |   |                               |   |                |   |                                   |                |   |      |             |                    |   |             |   |            |   |                        |   |                               |   |                |   |                                   |                |  |      |             |                    |   |             |   |            |   |                        |   |                               |   |                 |   |                                   |               |      |             |                    |   |               |   |                                   |               |  |      |             |   |   |             |   |            |   |                        |   |                                   |               |      |             |             |   |               |   |                                   |               |
| Classification (Results) Jury                   | 2   |   |  |  |   |             |   |            |   |                        |   |                               |   |                |   |                                   |                |   |      |             |                    |   |             |   |            |   |                        |   |                               |   |                |   |                                   |                |  |      |             |                    |   |             |   |            |   |                        |   |                               |   |                 |   |                                   |               |      |             |                    |   |               |   |                                   |               |  |      |             |   |   |             |   |            |   |                        |   |                                   |               |      |             |             |   |               |   |                                   |               |
| Chair of Juries                                 | 1   |   |  |  |   |             |   |            |   |                        |   |                               |   |                |   |                                   |                |   |      |             |                    |   |             |   |            |   |                        |   |                               |   |                |   |                                   |                |  |      |             |                    |   |             |   |            |   |                        |   |                               |   |                 |   |                                   |               |      |             |                    |   |               |   |                                   |               |  |      |             |   |   |             |   |            |   |                        |   |                                   |               |      |             |             |   |               |   |                                   |               |
| <b>Total Appointed By IPC SH:</b>               | <b>9 ITOs</b>   |   |  |  |   |             |   |            |   |                        |   |                               |   |                |   |                                   |                |   |      |             |                    |   |             |   |            |   |                        |   |                               |   |                |   |                                   |                |  |      |             |                    |   |             |   |            |   |                        |   |                               |   |                 |   |                                   |               |      |             |                    |   |               |   |                                   |               |  |      |             |   |   |             |   |            |   |                        |   |                                   |               |      |             |             |   |               |   |                                   |               |
| Role  | No. of ITOs   |   |  |  |   |             |   |            |   |                        |   |                               |   |                |   |                                   |                |   |      |             |                    |   |             |   |            |   |                        |   |                               |   |                |   |                                   |                |  |      |             |                    |   |             |   |            |   |                        |   |                               |   |                 |   |                                   |               |      |             |                    |   |               |   |                                   |               |  |      |             |   |   |             |   |            |   |                        |   |                                   |               |      |             |             |   |               |   |                                   |               |
| Technical Delegate                              | 1   |   |  |  |   |             |   |            |   |                        |   |                               |   |                |   |                                   |                |   |      |             |                    |   |             |   |            |   |                        |   |                               |   |                |   |                                   |                |  |      |             |                    |   |             |   |            |   |                        |   |                               |   |                 |   |                                   |               |      |             |                    |   |               |   |                                   |               |  |      |             |   |   |             |   |            |   |                        |   |                                   |               |      |             |             |   |               |   |                                   |               |
| Combined Jury                                   | 3   |   |  |  |   |             |   |            |   |                        |   |                               |   |                |   |                                   |                |   |      |             |                    |   |             |   |            |   |                        |   |                               |   |                |   |                                   |                |  |      |             |                    |   |             |   |            |   |                        |   |                               |   |                 |   |                                   |               |      |             |                    |   |               |   |                                   |               |  |      |             |   |   |             |   |            |   |                        |   |                                   |               |      |             |             |   |               |   |                                   |               |
| <b>Total Appointed By IPC SH:</b>               | <b>4 ITOs</b>   |   |  |  |   |             |   |            |   |                        |   |                               |   |                |   |                                   |                |   |      |             |                    |   |             |   |            |   |                        |   |                               |   |                |   |                                   |                |  |      |             |                    |   |             |   |            |   |                        |   |                               |   |                 |   |                                   |               |      |             |                    |   |               |   |                                   |               |  |      |             |   |   |             |   |            |   |                        |   |                                   |               |      |             |             |   |               |   |                                   |               |
| Role  | No. of ITOs   |   |  |  |   |             |   |            |   |                        |   |                               |   |                |   |                                   |                |   |      |             |                    |   |             |   |            |   |                        |   |                               |   |                |   |                                   |                |  |      |             |                    |   |             |   |            |   |                        |   |                               |   |                 |   |                                   |               |      |             |                    |   |               |   |                                   |               |  |      |             |   |   |             |   |            |   |                        |   |                                   |               |      |             |             |   |               |   |                                   |               |
| Technical Delegate (Jury of Appeal Chief Judge) | 1   |   |  |  |   |             |   |            |   |                        |   |                               |   |                |   |                                   |                |   |      |             |                    |   |             |   |            |   |                        |   |                               |   |                |   |                                   |                |  |      |             |                    |   |             |   |            |   |                        |   |                               |   |                 |   |                                   |               |      |             |                    |   |               |   |                                   |               |  |      |             |   |   |             |   |            |   |                        |   |                                   |               |      |             |             |   |               |   |                                   |               |
| Pistol Jury                                     | 1   |   |  |  |   |             |   |            |   |                        |   |                               |   |                |   |                                   |                |   |      |             |                    |   |             |   |            |   |                        |   |                               |   |                |   |                                   |                |  |      |             |                    |   |             |   |            |   |                        |   |                               |   |                 |   |                                   |               |      |             |                    |   |               |   |                                   |               |  |      |             |   |   |             |   |            |   |                        |   |                                   |               |      |             |             |   |               |   |                                   |               |
| Rifle Jury                                      | 1   |   |  |  |   |             |   |            |   |                        |   |                               |   |                |   |                                   |                |   |      |             |                    |   |             |   |            |   |                        |   |                               |   |                |   |                                   |                |  |      |             |                    |   |             |   |            |   |                        |   |                               |   |                 |   |                                   |               |      |             |                    |   |               |   |                                   |               |  |      |             |   |   |             |   |            |   |                        |   |                                   |               |      |             |             |   |               |   |                                   |               |
| Equipment Control Jury                          | 1   |   |  |  |   |             |   |            |   |                        |   |                               |   |                |   |                                   |                |   |      |             |                    |   |             |   |            |   |                        |   |                               |   |                |   |                                   |                |  |      |             |                    |   |             |   |            |   |                        |   |                               |   |                 |   |                                   |               |      |             |                    |   |               |   |                                   |               |  |      |             |   |   |             |   |            |   |                        |   |                                   |               |      |             |             |   |               |   |                                   |               |
| <b>Total Appointed By IPC SH:</b>               | <b>4 ITOs</b>   |   |  |  |   |             |   |            |   |                        |   |                               |   |                |   |                                   |                |   |      |             |                    |   |             |   |            |   |                        |   |                               |   |                |   |                                   |                |  |      |             |                    |   |             |   |            |   |                        |   |                               |   |                 |   |                                   |               |      |             |                    |   |               |   |                                   |               |  |      |             |   |   |             |   |            |   |                        |   |                                   |               |      |             |             |   |               |   |                                   |               |
| Role  | No. of ITOs   |   |  |  |   |             |   |            |   |                        |   |                               |   |                |   |                                   |                |   |      |             |                    |   |             |   |            |   |                        |   |                               |   |                |   |                                   |                |  |      |             |                    |   |             |   |            |   |                        |   |                               |   |                 |   |                                   |               |      |             |                    |   |               |   |                                   |               |  |      |             |   |   |             |   |            |   |                        |   |                                   |               |      |             |             |   |               |   |                                   |               |
| Chief Judge                                     | 1   |   |  |  |   |             |   |            |   |                        |   |                               |   |                |   |                                   |                |   |      |             |                    |   |             |   |            |   |                        |   |                               |   |                |   |                                   |                |  |      |             |                    |   |             |   |            |   |                        |   |                               |   |                 |   |                                   |               |      |             |                    |   |               |   |                                   |               |  |      |             |   |   |             |   |            |   |                        |   |                                   |               |      |             |             |   |               |   |                                   |               |
| Combined Jury                                   | 2   |   |  |  |   |             |   |            |   |                        |   |                               |   |                |   |                                   |                |   |      |             |                    |   |             |   |            |   |                        |   |                               |   |                |   |                                   |                |  |      |             |                    |   |             |   |            |   |                        |   |                               |   |                 |   |                                   |               |      |             |                    |   |               |   |                                   |               |  |      |             |   |   |             |   |            |   |                        |   |                                   |               |      |             |             |   |               |   |                                   |               |
| <b>Total Appointed By IPC SH:</b>               | <b>3 ITOs</b>   |   |  |  |   |             |   |            |   |                        |   |                               |   |                |   |                                   |                |   |      |             |                    |   |             |   |            |   |                        |   |                               |   |                |   |                                   |                |  |      |             |                    |   |             |   |            |   |                        |   |                               |   |                 |   |                                   |               |      |             |                    |   |               |   |                                   |               |  |      |             |   |   |             |   |            |   |                        |   |                                   |               |      |             |             |   |               |   |                                   |               |
| <b>Classification Panels</b>                    | Arrangement to be decided by IPC Shooting.  | Full panel compulsory (4 persons) plus Chief Classifier | Full panel recommended (4 persons). Arrangement to be decided by IPC Shooting. | Full panel recommended (4 persons). Arrangement to be decided by IPC Shooting. |   |             |   |            |   |                        |   |                               |   |                |   |                                   |                |   |      |             |                    |   |             |   |            |   |                        |   |                               |   |                |   |                                   |                |  |      |             |                    |   |             |   |            |   |                        |   |                               |   |                 |   |                                   |               |      |             |                    |   |               |   |                                   |               |  |      |             |   |   |             |   |            |   |                        |   |                                   |               |      |             |             |   |               |   |                                   |               |

|   | Level 3 (Paralympic Games)  | Level 3 (Championships)   | Level 2   | Level 1  |                             |               |             |  |                          |             |   |                             |               |              |  |                          |             |   |                             |               |             |                          |             |   |                             |               |             |  |                          |             |   |                             |               |             |                          |             |   |                             |               |             |
|---|---|---|---|--|-----------------------------|---------------|-------------|--|--------------------------|-------------|---|-----------------------------|---------------|--------------|--|--------------------------|-------------|---|-----------------------------|---------------|-------------|--------------------------|-------------|---|-----------------------------|---------------|-------------|--|--------------------------|-------------|---|-----------------------------|---------------|-------------|--------------------------|-------------|---|-----------------------------|---------------|-------------|
| <b>Minimum number of days</b><br><i>(depending on range capacity)</i> | <table border="1"> <tr> <td><b>Competition days:</b></td> <td>Min. 7 days</td> </tr> <tr> <td><b>Classification/ Equipment Control:</b></td> <td>2 days prior to competition</td> </tr> <tr> <td><b>TOTAL:</b></td> <td>Min. 9 days</td> </tr> </table> | <b>Competition days:</b>  | Min. 7 days   | <b>Classification/ Equipment Control:</b>  | 2 days prior to competition | <b>TOTAL:</b> | Min. 9 days | <table border="1"> <tr> <td><b>Competition days:</b></td> <td>Min. 8 days</td> </tr> <tr> <td><b>Classification/ Equipment Control:</b></td> <td>2 days prior to competition</td> </tr> <tr> <td><b>TOTAL:</b></td> <td>Min. 10 days</td> </tr> </table> | <b>Competition days:</b> | Min. 8 days | <b>Classification/ Equipment Control:</b> | 2 days prior to competition | <b>TOTAL:</b> | Min. 10 days | <p><b>Programme 1:</b></p> <table border="1"> <tr> <td><b>Competition days:</b></td> <td>Min. 5 days</td> </tr> <tr> <td><b>Classification/ Equipment Control:</b></td> <td>2 days prior to competition</td> </tr> <tr> <td><b>TOTAL:</b></td> <td>Min. 7 days</td> </tr> </table> <p><b>Programme 2 or 3:</b></p> <table border="1"> <tr> <td><b>Competition days:</b></td> <td>Min. 3 days</td> </tr> <tr> <td><b>Classification/ Equipment Control:</b></td> <td>2 days prior to competition</td> </tr> <tr> <td><b>TOTAL:</b></td> <td>Min. 5 days</td> </tr> </table> | <b>Competition days:</b> | Min. 5 days | <b>Classification/ Equipment Control:</b> | 2 days prior to competition | <b>TOTAL:</b> | Min. 7 days | <b>Competition days:</b> | Min. 3 days | <b>Classification/ Equipment Control:</b> | 2 days prior to competition | <b>TOTAL:</b> | Min. 5 days | <p><b>Programme 1:</b></p> <table border="1"> <tr> <td><b>Competition days:</b></td> <td>Min. 5 days</td> </tr> <tr> <td><b>Classification/ Equipment Control:</b></td> <td>2 days prior to competition</td> </tr> <tr> <td><b>TOTAL:</b></td> <td>Min. 7 days</td> </tr> </table> <p><b>Programme 2 or 3:</b></p> <table border="1"> <tr> <td><b>Competition days:</b></td> <td>Min. 3 days</td> </tr> <tr> <td><b>Classification/ Equipment Control:</b></td> <td>2 days prior to competition</td> </tr> <tr> <td><b>TOTAL:</b></td> <td>Min. 5 days</td> </tr> </table> | <b>Competition days:</b> | Min. 5 days | <b>Classification/ Equipment Control:</b> | 2 days prior to competition | <b>TOTAL:</b> | Min. 7 days | <b>Competition days:</b> | Min. 3 days | <b>Classification/ Equipment Control:</b> | 2 days prior to competition | <b>TOTAL:</b> | Min. 5 days |
| <b>Competition days:</b>  | Min. 7 days   |   |   |  |                             |               |             |  |                          |             |   |                             |               |              |  |                          |             |   |                             |               |             |                          |             |   |                             |               |             |  |                          |             |   |                             |               |             |                          |             |   |                             |               |             |
| <b>Classification/ Equipment Control:</b>                             | 2 days prior to competition   |   |   |  |                             |               |             |  |                          |             |   |                             |               |              |  |                          |             |   |                             |               |             |                          |             |   |                             |               |             |  |                          |             |   |                             |               |             |                          |             |   |                             |               |             |
| <b>TOTAL:</b>   | Min. 9 days   |   |   |  |                             |               |             |  |                          |             |   |                             |               |              |  |                          |             |   |                             |               |             |                          |             |   |                             |               |             |  |                          |             |   |                             |               |             |                          |             |   |                             |               |             |
| <b>Competition days:</b>  | Min. 8 days   |   |   |  |                             |               |             |  |                          |             |   |                             |               |              |  |                          |             |   |                             |               |             |                          |             |   |                             |               |             |  |                          |             |   |                             |               |             |                          |             |   |                             |               |             |
| <b>Classification/ Equipment Control:</b>                             | 2 days prior to competition   |   |   |  |                             |               |             |  |                          |             |   |                             |               |              |  |                          |             |   |                             |               |             |                          |             |   |                             |               |             |  |                          |             |   |                             |               |             |                          |             |   |                             |               |             |
| <b>TOTAL:</b>   | Min. 10 days  |   |   |  |                             |               |             |  |                          |             |   |                             |               |              |  |                          |             |   |                             |               |             |                          |             |   |                             |               |             |  |                          |             |   |                             |               |             |                          |             |   |                             |               |             |
| <b>Competition days:</b>  | Min. 5 days   |   |   |  |                             |               |             |  |                          |             |   |                             |               |              |  |                          |             |   |                             |               |             |                          |             |   |                             |               |             |  |                          |             |   |                             |               |             |                          |             |   |                             |               |             |
| <b>Classification/ Equipment Control:</b>                             | 2 days prior to competition   |   |   |  |                             |               |             |  |                          |             |   |                             |               |              |  |                          |             |   |                             |               |             |                          |             |   |                             |               |             |  |                          |             |   |                             |               |             |                          |             |   |                             |               |             |
| <b>TOTAL:</b>   | Min. 7 days   |   |   |  |                             |               |             |  |                          |             |   |                             |               |              |  |                          |             |   |                             |               |             |                          |             |   |                             |               |             |  |                          |             |   |                             |               |             |                          |             |   |                             |               |             |
| <b>Competition days:</b>  | Min. 3 days   |   |   |  |                             |               |             |  |                          |             |   |                             |               |              |  |                          |             |   |                             |               |             |                          |             |   |                             |               |             |  |                          |             |   |                             |               |             |                          |             |   |                             |               |             |
| <b>Classification/ Equipment Control:</b>                             | 2 days prior to competition   |   |   |  |                             |               |             |  |                          |             |   |                             |               |              |  |                          |             |   |                             |               |             |                          |             |   |                             |               |             |  |                          |             |   |                             |               |             |                          |             |   |                             |               |             |
| <b>TOTAL:</b>   | Min. 5 days   |   |   |  |                             |               |             |  |                          |             |   |                             |               |              |  |                          |             |   |                             |               |             |                          |             |   |                             |               |             |  |                          |             |   |                             |               |             |                          |             |   |                             |               |             |
| <b>Competition days:</b>  | Min. 5 days   |   |   |  |                             |               |             |  |                          |             |   |                             |               |              |  |                          |             |   |                             |               |             |                          |             |   |                             |               |             |  |                          |             |   |                             |               |             |                          |             |   |                             |               |             |
| <b>Classification/ Equipment Control:</b>                             | 2 days prior to competition   |   |   |  |                             |               |             |  |                          |             |   |                             |               |              |  |                          |             |   |                             |               |             |                          |             |   |                             |               |             |  |                          |             |   |                             |               |             |                          |             |   |                             |               |             |
| <b>TOTAL:</b>   | Min. 7 days   |   |   |  |                             |               |             |  |                          |             |   |                             |               |              |  |                          |             |   |                             |               |             |                          |             |   |                             |               |             |  |                          |             |   |                             |               |             |                          |             |   |                             |               |             |
| <b>Competition days:</b>  | Min. 3 days   |   |   |  |                             |               |             |  |                          |             |   |                             |               |              |  |                          |             |   |                             |               |             |                          |             |   |                             |               |             |  |                          |             |   |                             |               |             |                          |             |   |                             |               |             |
| <b>Classification/ Equipment Control:</b>                             | 2 days prior to competition   |   |   |  |                             |               |             |  |                          |             |   |                             |               |              |  |                          |             |   |                             |               |             |                          |             |   |                             |               |             |  |                          |             |   |                             |               |             |                          |             |   |                             |               |             |
| <b>TOTAL:</b>   | Min. 5 days   |   |   |  |                             |               |             |  |                          |             |   |                             |               |              |  |                          |             |   |                             |               |             |                          |             |   |                             |               |             |  |                          |             |   |                             |               |             |                          |             |   |                             |               |             |
| <b>Time schedule</b>  | Depending on shooting range capacity. To be approved by IPC Shooting.   | Depending on shooting range capacity. To be approved by IPC Shooting.   | Depending on shooting range capacity. To be approved by IPC Shooting.   | Depending on shooting range capacity. To be approved by IPC Shooting.  |                             |               |             |  |                          |             |   |                             |               |              |  |                          |             |   |                             |               |             |                          |             |   |                             |               |             |  |                          |             |   |                             |               |             |                          |             |   |                             |               |             |
| <b>Results template</b>   | Managed by IPC Shooting Official Results Provider and sent to IPC Shooting  | Managed by IPC Shooting Official Results Provider and sent to IPC Shooting  | Managed by IPC Shooting Official Results Provider and sent to IPC Shooting  | Results must be submitted in standard IPC SH template to IPC Shooting Office no later than 7 days after competition. |                             |               |             |  |                          |             |   |                             |               |              |  |                          |             |   |                             |               |             |                          |             |   |                             |               |             |  |                          |             |   |                             |               |             |                          |             |   |                             |               |             |
| <b>Result Book</b>  | Coordinated and published by OCOG, with review and approval by TD.  | As per IPC Shooting template. Coordinated by TD and Classification Jury Chairperson, and published by IPC Shooting. | As per IPC Shooting template. Coordinated by TD and Classification Jury Chairperson, and published by IPC Shooting. | Coordinated and published by LOC, with review and approval by TD.  |                             |               |             |  |                          |             |   |                             |               |              |  |                          |             |   |                             |               |             |                          |             |   |                             |               |             |  |                          |             |   |                             |               |             |                          |             |   |                             |               |             |

## APPENDIX 2

### Overview of Level 1 (International Approved Competition) requirements

#### 1 Sanctioning process

- 1.1 Application forms must be completed in full and submitted to IPC Shooting Office at [ipcshooting@paralympic.org](mailto:ipcshooting@paralympic.org) no later than 6 months prior to the commencement of the competition.
- 1.2 Applications submitted outside the given timelines or not completed in full will not be accepted.
- 1.3 The competition application must be endorsed by the relevant NPC (if the LOC is not the NPC).
- 1.4 IPC Shooting will announce its decision to approve the competition officially in writing.
- 1.5 If approved, a 100 EUR fee must be submitted by the LOC to IPC account and the LOC will be invoiced by IPC Shooting.
- 1.6 All international competitions approved by IPC Shooting will appear in the IPC Shooting Calendar.

#### 2 Minimum requirements

- 2.1 **Rules:** the competition will be held according to current ISSF and IPC Shooting Rules.
- 2.2 **Programme of events:** the programme of events can be (the events in the parenthesis ‘()’ are optional):
  - Programme 1: R1-R9, P1-P5, (Falling targets)
  - Programme 2: R1-R5, P1-P2, P5, (Falling targets)
  - Programme 3: R6-R9, P3-P4
- 2.3 **Finals:** finals are required for all the events in all Programmes (except events R9 and P5).
- 2.4 **Time schedule:** the time schedule should be developed by the LOC taking into consideration the number of firing points, expected number of athletes per event, type of targets (e.g. paper or electronic). The schedule needs IPC Shooting prior approval.
- 2.5 **No. of days for classification, training & equipment control:** two (2) days are required prior to the competition days.

- 2.6 **Equipment:** full set of gauges and instruments for both ISSF and IPC Shooting (SH2 class) equipment control must be provided (Note: if the LOC does not own IPC Shooting equipment control gauges and instruments, please inform IPC Shooting and the purchase or loan of such items can be arranged).
- 2.7 **Event viability:** athletes from a minimum of three (3) NPCs must be entered by the final entries deadline. Otherwise an event is not considered viable and will be cancelled.
- 2.8 **Entries:** the final entries list must be sent to IPC Shooting office the day after the final entries deadline and not later than 4 weeks prior the start of the competition. The athlete's SDMS ID number, international sport class and sport class status (if available) must be included in this list.
- 2.9 **Technical officials:** the competition must be officiated by recognised ISSF and IPC Shooting Judges.
- Technical Delegate/Chief Judge (An ITO from outside the Host Country will be appointed by IPC Shooting);
  - International Judge (ITOs from outside the Host Country will be appointed by IPC Shooting);
  - National Judges (to be selected by the LOC as per ISSF rules).
- 2.10 **Classification panel:** an International classification panel will consist of two (2) International Classifiers and will be appointed by IPC Shooting. For protest opportunities 2 panels of two (2) International Classifiers each must be appointed as per the IPC Classification Code (total number of 4 classifiers).
- 2.11 **Results:** the LOC must submit the results from all events to IPC Shooting in electronic version in the standardised IPC Shooting Results Template no later than 7 days after the end of the competition. Results recognition will follow the IPC Processes for rankings and records lists.



## APPENDIX 3

### Overview of World Cup Requirements

## 1 Sanctioning Process

- 1.1 World Cup applications must be completed in full and submitted to IPC Shooting Office at [ipcshooting@paralympic.org](mailto:ipcshooting@paralympic.org) no later 30 MARCH the year prior to the commencement of the competition.
- 1.2 Applications submitted outside the given timelines or are not completed in full will not be accepted.
- 1.3 The competition application must be endorsed by the relevant NPC (if the LOC is not the NPC).
- 1.4 Prior to any decision, if deemed necessary, a site visit may be conducted by IPC Shooting (on the LOC cost).
- 1.5 IPC Shooting will announce its decision to approve the competition officially in writing.
- 1.6 If the World Cup is approved, a 500 EUR (ex. VAT) sanctioning fee must be paid by the LOC to IPC (LOC will be invoiced accordingly).
- 1.7 All World Cups will appear in the IPC Shooting Calendar.

## 2 General requirements

- 2.1 **Rules:** the competition will be held according to current ISSF and IPC Shooting Rules.
- 2.2 **Programme of events:**
  - 2.2.1 the programme of events can be (the events in the parenthesis ‘()’ are optional):
    - Programme 1: R1-R9, P1-P5, (Falling targets)
    - Programme 2: R1-R5, P1-P2, P5, (Falling targets)
    - Programme 3: R6-R9, P3-P4
  - 2.2.2 **NOTE:** In case the World Cup with Paralympic Games Direct Quota Allocation, then the Programme of Events must be **Programme 1 only**
- 2.3 **Finals:** finals are required for all the events in all Programmes (except events R9 and P5).
- 2.4 **No. of days for classification, training & equipment control:** two (2) days are required prior to the competition days.

- 2.5 **Minimum days of competition days:**
- For Programme 1: Five (5) days
  - For Programme 2: Three (3) days
  - For Programme 3: Three (3) days
- 2.6 **Doping Control:** A Doping Control Agreement (DCA) will be signed between the LOC and IPC.

### 3 Entries

3.1 The IPC Online entry system will be used for this event for athlete entries; other entry forms (i.e. Team Official registration, Transport and Accommodation booking - if required) should be distributed to teams along with the Competition Information Package (IPC Shooting can send templates of these forms to the LOC).

3.2 All Athletes are required to be licensed by the Final Entry deadline.

3.3 The estimated number of participants for IPC Shooting World Cups are:

| Full Programme         | Part Programme (i.e. Air only) |
|------------------------|--------------------------------|
| Athletes: 100-200      | Athletes: 80-150               |
| Team Officials: 50-100 | Team Officials: 40-70          |

3.4 The estimated number of wheelchair users for IPC Shooting World Cups are:

- Athletes = 50-60% of total number of athletes
- Team officials = 2-3% of total number of team officials

#### 3.5 Event viability

3.5.1 The minimum number of entries per event are:

- Individual events: four (4) athletes from four (4) NPCs;
- Team events: teams from a minimum of three (3) NPCs.

3.5.2 If the minimum viability criteria is not met by the final entries deadline an event is not considered viable and will be cancelled.

#### 3.6 Competition information package (CIP)

3.6.1 Competition information package (CIP) and entry forms should be sent to NPCs no later than 4 months prior to the competition start date. IPC Shooting will distribute the information package and forms to NPCs, and also publish the information on the website ([www.ipc-shooting.org/events](http://www.ipc-shooting.org/events)).

- 3.6.2 The CIP must include:
- Deadlines for entry applications
  - Financial matters including full costs (entries, accommodation, etc) and bank transfer details
  - Transportation details including to/from airport and hotel
  - Accommodation details/options
  - Weapons import and visa procedures
  - Preliminary competition schedule

3.6.3 A CIP template will be sent to the LOC by IPC Shooting. The CIP template should be completed by the LOC and sent to IPC Shooting for approval, along with draft competition schedule.

### 3.7 Fees

3.7.1 **Basic Entry Fee:** the Basic Entry Fee is to be set by the LOC (and approved by IPC Shooting).

3.7.2 **Event Entry Fees:** in addition to the basic entry fee, the LOC will collect event entry fees of 5 EUR per athlete per individual entry and 15 EUR per team entry per event. These 'event entry fees' are to be paid to IPC Shooting post-competition.

### 3.8 Deadlines:

3.8.1 **First Entry by Number:** the competition first entry by number deadline must be set to minimum nine (9) weeks before the start of the competition;

3.8.2 **Final Entry by Name:** the competition final entry deadline must be set to minimum five (5) weeks before the start of the competition.

3.9 **Bibs:** Following the final entry deadline IPC Shooting will prepare Athlete and Loader Bibs and send to the LOC for printing.

## 4 Transport

4.1 Transport (airport to hotel, and hotel to venue) must be provided for all appointed competition officials (Technical Officials, Classifiers, Management Team)

4.2 If the LOC will provide transport (airport to hotel and/or hotel to venue) to Athletes and Team Officials as part of the competition entry package, a suitable number of accessible vehicles must be provided.

## 5 Accommodation

- 5.1 If the LOC will provide accommodation to Athletes and Team Officials as part of the competition entry package, a suitable number of accessible rooms must be provided.
- 5.2 The different types of rooms (single or double) are described as follows:
- **A class (fully accessible):** rooms for participants who need the wheelchair at any time (this rooms must be fully wheelchair accessible incl. bath/shower and toilet)
  - **B class (wheelchair friendly):** rooms for participants who are wheelchair users or persons with an impairment, but they are able to walk in to and around the room to some degree
  - **C class (non-wheelchair users):** rooms for participants who are non-wheelchair users, and do not require any adaptations to the room

## 6 Venue

- 6.1 General requirements (firing points, ranges specifications, etc) are as according to the ISSF rules.
- 6.2 **Equipment**
- 6.2.1 Electronic Targets are mandatory and must be provided in accordance to the IPC Shooting Official Results & Target System Provider agreement ([www.ipc-shooting.org/organisers](http://www.ipc-shooting.org/organisers));
- 6.2.2 Full set of gauges and instruments for both ISSF and IPC Shooting (SH2 class) equipment control must be provided (Note: LOC does not own an IPC Shooting equipment control gauges and instruments, please inform IPC Shooting, and the purchase or loan of such items can be arranged);
- 6.3 **Accessibility**
- 6.3.1 The venue must be accessible to wheelchair users, including 'barrier-free' access to the venue and field of play.
- 6.3.2 A suitable number of accessible toilets must be available at the venue.
- 6.4 **Information services:**
- 6.4.1 A results board (for results display) must be provided on venue;
- 6.4.2 Mailboxes/in-trays must be provided at the venue for distributing documents and notices to delegations and officials
- 6.4.3 An information desk or notice board for competition information should be available to teams at the venue and official hotel (if applicable).

6.4.4 It is strongly recommended by IPC Shooting that the LOC provide free Wi-Fi services to participants across the venue.

## 6.5 Meeting rooms and office facilities

6.5.1 A large room or space must be allocated to be used for the Technical Meeting (there will be approximately 2 persons per participating country attending).

6.5.2 An office for the Technical Delegate (and IPC Shooting Sport Manager, if attending), must be allocated. The allocated office must include access to internet, printer and photocopier.

## 6.6 Classification

6.6.1 For full requirements for Classification areas, please see the LOC Guidelines on the IPC Shooting website: [www.ipc-shooting.org/organisers](http://www.ipc-shooting.org/organisers)

# 7 Officials

7.1 IPC Shooting will appoint the necessary number of officials, and confirm the names to the LOC in writing.

7.2 The LOC should budget to cover the following number of officials and relevant costs/services:

| Role                 | Number of persons   | Period of attendance  | Services to be provided   |
|----------------------|---|---|---|
| Technical Delegate   | 1   | <ul style="list-style-type: none"> <li>▪ Arrive: By 16:00, 2 days before start of Equipment Control/Training</li> <li>▪ Depart: Day after end of competition</li> </ul> | <ul style="list-style-type: none"> <li>▪ Flights</li> <li>▪ Transport</li> <li>▪ Accommodation (single room)</li> <li>▪ Catering</li> </ul> |
| ITOs                 | 3-8 ( <i>depending on competition programme</i> )   | <ul style="list-style-type: none"> <li>▪ Arrive: By 16:00, 1 day before start of Equipment Control/Training</li> <li>▪ Depart: Day after end of competition</li> </ul>  | <ul style="list-style-type: none"> <li>▪ Flights</li> <li>▪ Transport</li> <li>▪ Accommodation (single room)</li> <li>▪ Catering</li> </ul> |
| Chief Classifier     | 1   | <ul style="list-style-type: none"> <li>▪ Arrive: By 16:00, 2 days before start of Classification</li> <li>▪ Depart: Day after end of classification</li> </ul>          | <ul style="list-style-type: none"> <li>▪ Flights</li> <li>▪ Transport</li> <li>▪ Accommodation (single room)</li> <li>▪ Catering</li> </ul> |
| Classifiers          | 1-3 ( <i>depending on decision by IPC SH of no. of classification panels to be provided</i> ) | <ul style="list-style-type: none"> <li>▪ Arrive: By 16:00, 1 day before start of Classification</li> <li>▪ Depart: Day after end of classification</li> </ul>           | <ul style="list-style-type: none"> <li>▪ Flights</li> <li>▪ Transport</li> <li>▪ Accommodation (single room)</li> <li>▪ Catering</li> </ul> |
| IPC SH Sport Manager | 1   | <ul style="list-style-type: none"> <li>▪ Arrive: By 16:00, 1 day before start of Equipment Control/Training</li> <li>▪ Depart: Day after end of competition</li> </ul>  | <ul style="list-style-type: none"> <li>▪ Transport</li> <li>▪ Accommodation (single room)</li> <li>▪ Catering</li> </ul>                    |

### 7.3 Juries

- 7.3.1 IPC Shooting will provide a Jury list following the appointment of IPC Shooting ITOs.
- 7.3.2 One member per Jury is to be provided by the LOC.

7.4 **National Technical Officials:** an appropriate number (calculated as per ISSF Rules) are to be selected and appointed by the LOC.

## 8 Protocol

### 8.1 Medals

- 8.1.1 The LOC must send the proposed medal design to IPC Shooting for approval.
- 8.1.2 Medal design should include:
  - **Front:** Event/LOC logo & official event title
  - **Back:** IPC Shooting logo
  - **Ribbon:** plain or a design chosen by LOC (to be approved by IPC Shooting).

### 8.2 Victory Ceremonies

- 8.2.1 Depending on the preference of the LOC, victory ceremonies can be scheduled following each final; at the end of every day; or at the end of the competition.
- 8.2.2 The Victory Ceremony area must be accessible for wheelchair users.
- 8.2.3 If a special back-drop and/or podium will be prepared for the ceremonies, the design must be sent to IPC Shooting for approval.
- 8.2.4 The LOC must provide the national anthems and the three (3) flags of each participating NPC (NOTE: total number of required flags per NPC can be finalised with IPC Shooting following the final entry deadline).

### 8.3 Opening and Closing Ceremonies

- 8.3.1 For World Cup events, Opening and Closing Ceremonies are optional.
- 8.3.2 If an LOC wishes to plan an Opening and/or Closing Ceremony, plans must be approved by IPC Shooting.

## 9 Branding

- 9.1 Any competition branding (including posters, banners, brochures, etc) should include the official event title, event logo (if created, otherwise LOC/NPC logo) and IPC Shooting logo.
- 9.2 A design of all planned materials must be sent in good time to IPC Shooting for approval.

## APPENDIX 4

### Bib templates

#### 3.1 Athlete Bib Template



### 3.2 Loader Bib Template





# APPENDIX 5: Equipment Control Sheet



|                  |  |
|------------------|--|
| COMPETITION NAME |  |
|------------------|--|

| ATHLETE LAST NAME | ATHLETE FIRST NAME | GENDER        | SPORT CLASS | NPC | IPC SHOOTING ID NO. | START NO. |
|-------------------|--------------------|---------------|-------------|-----|---------------------|-----------|
|                   |                    | Male / Female | SH ____     |     |                     |           |

## PART A

|  |       |                         |        |         |
|--|-------|-------------------------|--------|---------|
| ATHLETE TO COMPLETE:                             |       |                         |        |         |
| PARTICIPATING EVENT                              |       |                         |        |         |
| (a) tick to indicate your Participating Event(s) |       |                         |        |         |
| RIFLE  |       |                         |        |         |
| [Tick]   | Event | Discipline              | Gender | Class   |
|  | R1    | Air rifle standing      | Men    | SH1     |
|  | R2    | Air rifle standing      | Women  | SH1     |
|  | R3    | Air rifle prone         | Mixed  | SH1     |
|  | R4    | Air rifle standing      | Mixed  | SH2     |
|  | R5    | Air rifle prone         | Mixed  | SH2     |
|  | R6    | 50 M Rifle Prone        | Mixed  | SH1     |
|  | R7    | 50 M Rifle 3 position   | Men    | SH1     |
|  | R8    | 50M Rifle 3 position    | Women  | SH1     |
|  | R9    | 50M Rifle Prone         | Mixed  | SH2     |
|  | FTR1  | Falling targets         | Mixed  | SH1     |
|  | FTR2  | Falling targets         | Mixed  | SH2     |
| PISTOL   |       |                         |        |         |
| [Tick]   | Event | Discipline              | Gender | Class   |
|  | P1    | Air pistol              | Men    | SH1/SH2 |
|  | P2    | Air pistol              | Women  | SH1/SH2 |
|  | P3    | 25 M Pistol             | Mixed  | SH1/SH2 |
|  | P4    | 50 M Pistol             | Mixed  | SH1/SH2 |
|  | P5    | 10 M 5 shots Air Pistol | Mixed  | SH1/SH2 |
|  | FTP   | Falling Targets         | Mixed  | SH1/SH2 |

|                     |  |
|---------------------|--|
| CLASSIFICATION CARD |  |
| Classification Card |  |
| Validation Date:    |  |

|                   |      |
|-------------------|------|
|                   |      |
| Athlete Signature | Date |

## PART B

|   |              |        |              |
|---|--------------|--------|--------------|
| ISSF OR IPC SHOOTING JUDGE TO COMPLETE:                   |              |        |              |
| ATHLETE FIREARM(S):                                       |              |        |              |
| Type  | Manufacturer | Weight | Serial No.   |
| Rifle / Pistol  |              |        |              |
| Rifle / Pistol  |              |        |              |
| Rifle / Pistol  |              |        |              |
| Rifle / Pistol  |              |        |              |
| Rifle / Pistol  |              |        |              |
| ISSF FIREARMS & EQUIPMENT CONTROL                         |              |        |              |
| RIFLE   |              |        | Check / Sign |
| Standards for all Rifles                                  |              |        |              |
| Clothing / Shooting gear, including Blinder on rear sight |              |        |              |
| PISTOL  |              |        | Check / Sign |
| Standards for all Pistols                                 |              |        |              |
| Clothing / Shooting gear, including Side Blinders         |              |        |              |
| EQUIPMENT CONTROL   |              |        | Check / Sign |
| Jacket  |              |        |              |
| Trousers  |              |        |              |
| Shoes / Orthopaedic boots                                 |              |        |              |
| Kneeling roll   |              |        |              |
| Gloves  |              |        |              |

|                              |      |
|------------------------------|------|
|                              |      |
| ISSF Shooting Jury Signature | Date |

## PART C

|   |              |
|---|--------------|
| IPC SHOOTING JUDGE (ONLY) TO COMPLETE:      |              |
| IPC SHOOTING FIREARMS & EQUIPMENT CONTROL   |              |
| MISCELLANEOUS                               | Check / Sign |
| Compensation block ( see ID card )          |              |
| Trigger extentions ( all pistols & rifles ) |              |
| Straps to chair / legs                      |              |
| Prosthesis used for rifle support           |              |
| TABLES                                      | Check / Sign |
| Prone Table                                 |              |
| Horizontality                               |              |
| Size  |              |
| Compressive material                        |              |
| Kneeling Table                              |              |
| Horizontality                               |              |
| Compressive material                        |              |
| 10cm diameter block                         |              |
| CHAIRS                                      | Check / Sign |
| Normal / High chairs                        |              |
| Side posts and armrests                     |              |
| Chairs without backrest (SH1A or SH2A)      |              |
| Low backrest (SH1B or SH2B)                 |              |
| High backrest (SH1C or SH2C)                |              |
| Stretch backrest                            |              |
| RIFLE SUPPORT STAND                         | Check / Sign |
| Rifle-holder                                |              |
| Spring measuring                            |              |
| Balance mark on rifle                       |              |
| PISTOLS                                     | Check / Sign |
| Loading block for pistol                    |              |

|                                |      |
|--------------------------------|------|
|                                |      |
| IPC Shooting Referee Signature | Date |

|                        |
|------------------------|
| REMARKS (if required): |
|                        |

## APPENDIX 6

### Trigger extensions and adaptations

In accordance with the ISSF Rules, the style/shape of a trigger is a personal choice as long as it stays within the boundary of the given dimensions (as stated in ISSF Rule 7.4.4.1 Item D 'Depth of fore-end' and Item I 'Maximum thickness (breadth) of the fore-end'). No definition of the shape of the trigger is given.

- **Trigger extension:** triggers that have modifications compared to standard triggers, but are inside the dimensions of ISSF Rule 7.4.4.1 and protected by a trigger guard.
- **Trigger Adaptions:** triggers that have modifications compared to standard triggers, and are outside of the trigger guard and dimensions of ISSF rule 7.4.4.1.
  - athletes must have a medical reason to use a trigger adaption;
  - this must be reviewed and approved by an IPC Shooting Classification Panel during a Technical Assessment (in consultation with the Technical Delegate, regarding the safe use of the proposed trigger adaptation) and recorded on the athlete's Classification and License Cards.

To help to understand the differences, on the following pages are some example photographs and explanations.



**Trigger extension:** trigger is inside the dimensions of ISSF Rule 7.4.4.1 and protected by a trigger guard.



**Trigger extension:** trigger is inside the dimensions of ISSF Rule 7.4.4.1 and protected by a trigger guard.



**Trigger extension:** trigger is inside the dimensions of ISSF Rule 7.4.4.1 and protected by a trigger guard.



**Trigger adaptation:** trigger is outside the trigger guard and outside the dimensions of ISSF rule 7.4.4.1



**Trigger adaptation:** trigger is outside the trigger guard and outside the dimensions of ISSF rule 7.4.4.1



**Trigger adaptation:** there is no trigger guard.



**Trigger adaptation:** trigger is outside the trigger guard and outside the dimensions of ISSF rule 7.4.4.1



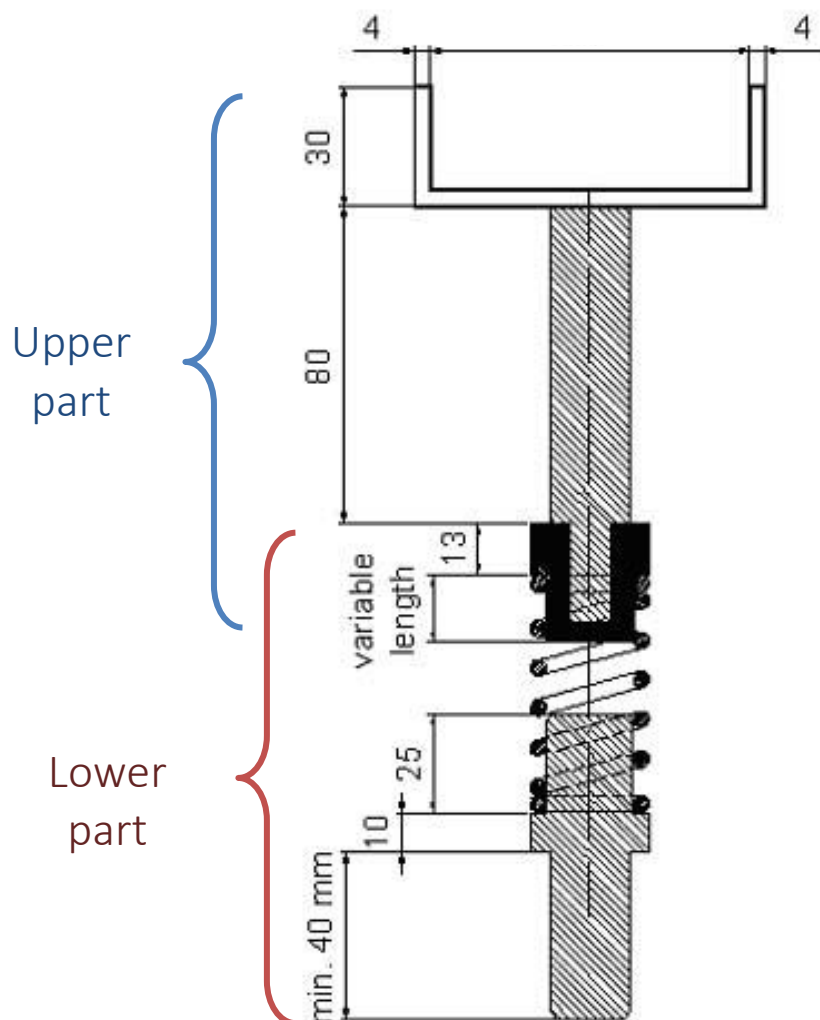
**Trigger adaptation:** trigger is outside the trigger guard and outside the dimensions of ISSF rule 7.4.4.1

## APPENDIX 7

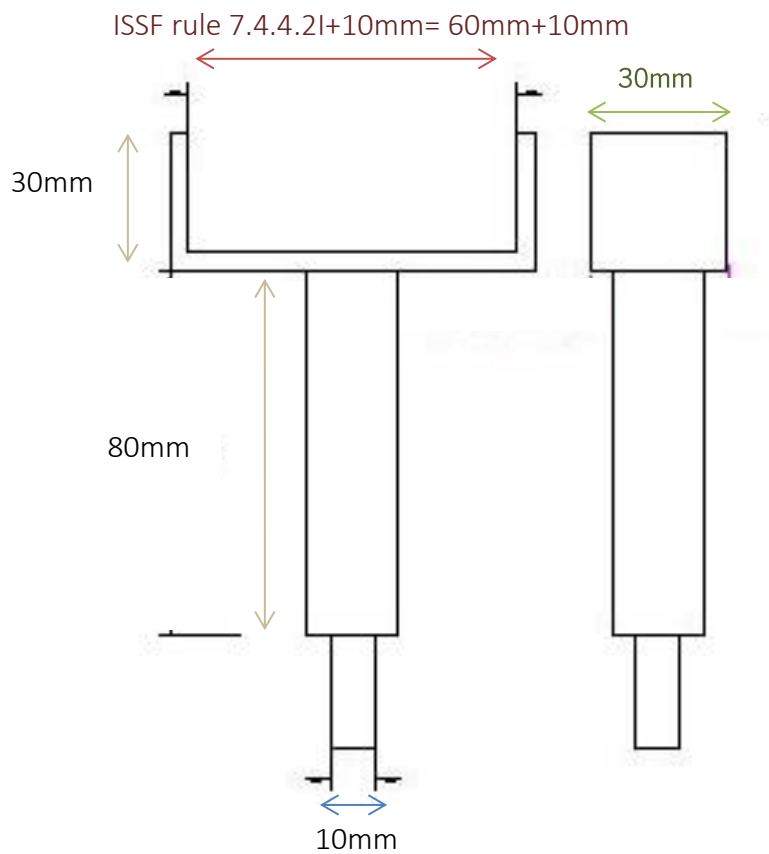
### SH2 Support Stand Parts Drawings

Updated July 2015

#### 1 Overview



## 2 Upper part support (U form Shaft)

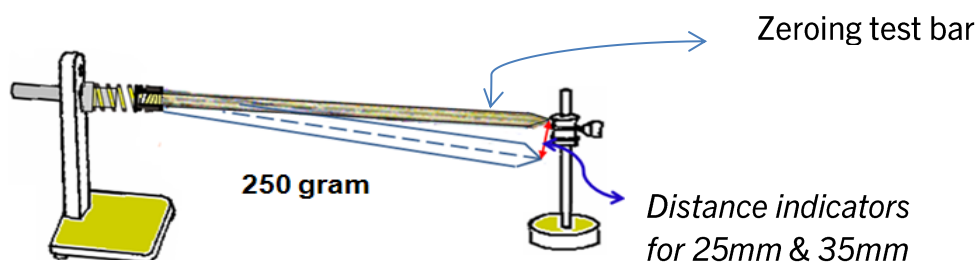


**Max. weight:** 200 grams

### 3 Support stand measuring procedure

#### 3.1 Zero point

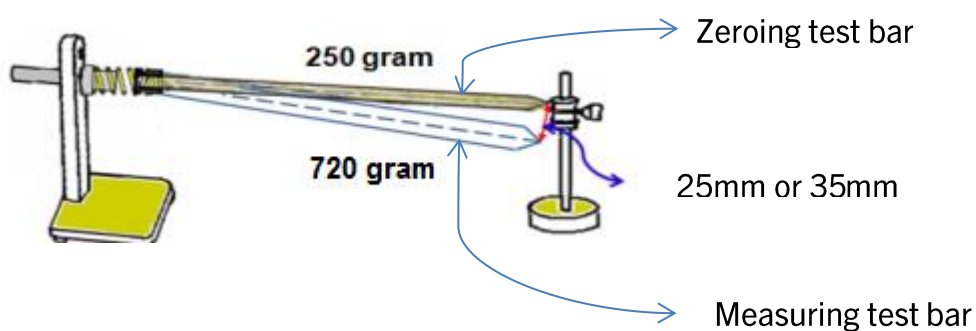
250 gram measuring bar is used to determine the zero point.



#### 3.2 Spring flexibility

720 gram measuring bar is used to indicate spring flexibility:

- Weak (a) spring: minimum 35mm flexibility
- Strong (b) spring: minimum 25mm flexibility



[Diagrams on this page are as updated July 2015]



## APPENDIX 8

### P5 10m Air Pistol Standard

#### 1 General

- 1.1 Any calibre 4.5 mm (.177") compressed air or gas pistol may be used.
- 1.2 The pistol used in the 10m five shot air pistol event must have a magazine that can be loaded with five (5) pellets.

#### 2 Competition

- 2.1 Three (3) minutes preparation time will be given.
- 2.2 Ready position:
  - 2.2.1 Before each series the athlete must lower his arm. The pistol may be rested on the bench or shooting table.
  - 2.2.2 The pistol may not be raised or lifted to point towards the target until the command "START".
- 2.3 A series is considered as having started from the moment of the command "ATTENTION". Every shot fired after that will be counted in the competition.
- 2.4 Before the beginning of each stage, the athlete may fire one (1) sighting series of five (5) shots in ten (10) seconds.
- 2.5 All shooting (sighting and competition series) is by command. All athletes in the same range section must fire at the same time, but organisers may arrange for more than one range section to fire simultaneously under centralized commands.
- 2.6 The event is forty (40) competition shots.
- 2.7 The event is divided into series of five (5) shots each in ten (10) seconds. In each series five shots are fired on one (1) Stationary Air Pistol target (see ISSF Rule 6.3.2.6) in the time limit for the series.

## 2.8 Commands

2.8.1 When the range officer gives the command “LOAD”, the athletes must prepare themselves for their series within one (1) minute.

2.8.2 When one (1) minute has expired, the Range Officer will give the commands:

|   |
|---|
| "ATTENTION"   |
| Seven (7) seconds after “ATTENTION”                               |
| "START" (the signal to fire).                                     |
| After 10 seconds "STOP".  |
| Shot(s) after the command "STOP" must be counted as zero(es) (0). |

2.8.3 The timing will be controlled by stop watches.

2.8.4 Incorrect Range Commands

2.8.4.1 If the athlete wishes to protest because of an incorrect command and/or action by the range officer, the athlete must hold the pistol (or secure in the Loading Device) pointing down range and raise their hand, and immediately after the series report this to the range officer or jury member.

2.8.4.2 If the claim is considered justified, the athlete must be allowed to fire the series.

2.8.4.3 If the claim is considered not justified, the athlete may fire the series, but must be penalized by the deduction of two (2) points in the event from the score of that series.

2.8.4.4 If the athlete has fired a shot after the incorrect command and/or action, the protest must not be accepted.

## 2.9 Scoring

2.9.1 All shots fired in the 10 seconds shooting time will be scored. Early and late shot(s) will be scored as zero(es).

2.9.2 Any ties for the first three (3) places will be resolved by shoot-off. Ties for fourth place and below, will be resolved by count-back in 5-shot-series. If any ties remain the athletes must have the same ranking.

## 2.10 Interruption

- 2.10.1 If the interruption is for safety or technical reasons without fault of the athlete:
  - 2.10.1.1 If the elapsed time is more than fifteen (15) minutes, the Jury must allow one extra sighting series of five (5) shots.
  - 2.10.1.2 10m Air Pistol Standard Event, the interrupted series must be annulled and repeated. The repeated series must be recorded and credited to the athlete.
  - 2.10.1.3 Any extension of time allowed by the Jury or Range Officers must be marked clearly, stating the reason, on the Register Keeper's score card and on the scoreboard where it is visible clearly to the athlete.

## 2.11 Disturbances

- 2.11.1 Should an athlete consider that they were disturbed while firing a shot, the athlete must hold their pistol pointing down range (or secure in the Loading Device) and inform immediately the Range Officer or Jury Member by raising their hand. The athlete must not disturb other athletes.
- 2.11.2 If the claim is considered justified:
  - 2.11.2.1 The series must be annulled and the athlete may repeat the series.
- 2.11.3 If the claim is considered not justified:
  - 2.11.3.1 If the athlete has finished his series, the shot or series must be credited to the athlete.
  - 2.11.3.2 If the athlete has not finished his series due to the claimed disturbance, the athlete may repeat the series.
- 2.11.4 Scoring and penalties are as follows:
  - 2.11.4.1 The score must be recorded as the total of the five (5) lowest value hits on the targets.
  - 2.11.4.2 Two (2) points must also be deducted from the score of the repeated series.
  - 2.11.4.3 In any repeated series, all five (5) shots must be fired at the target. Any shot(s) not fired or not hitting the target must be scored as zero(es).

## 2.12 Malfunctions

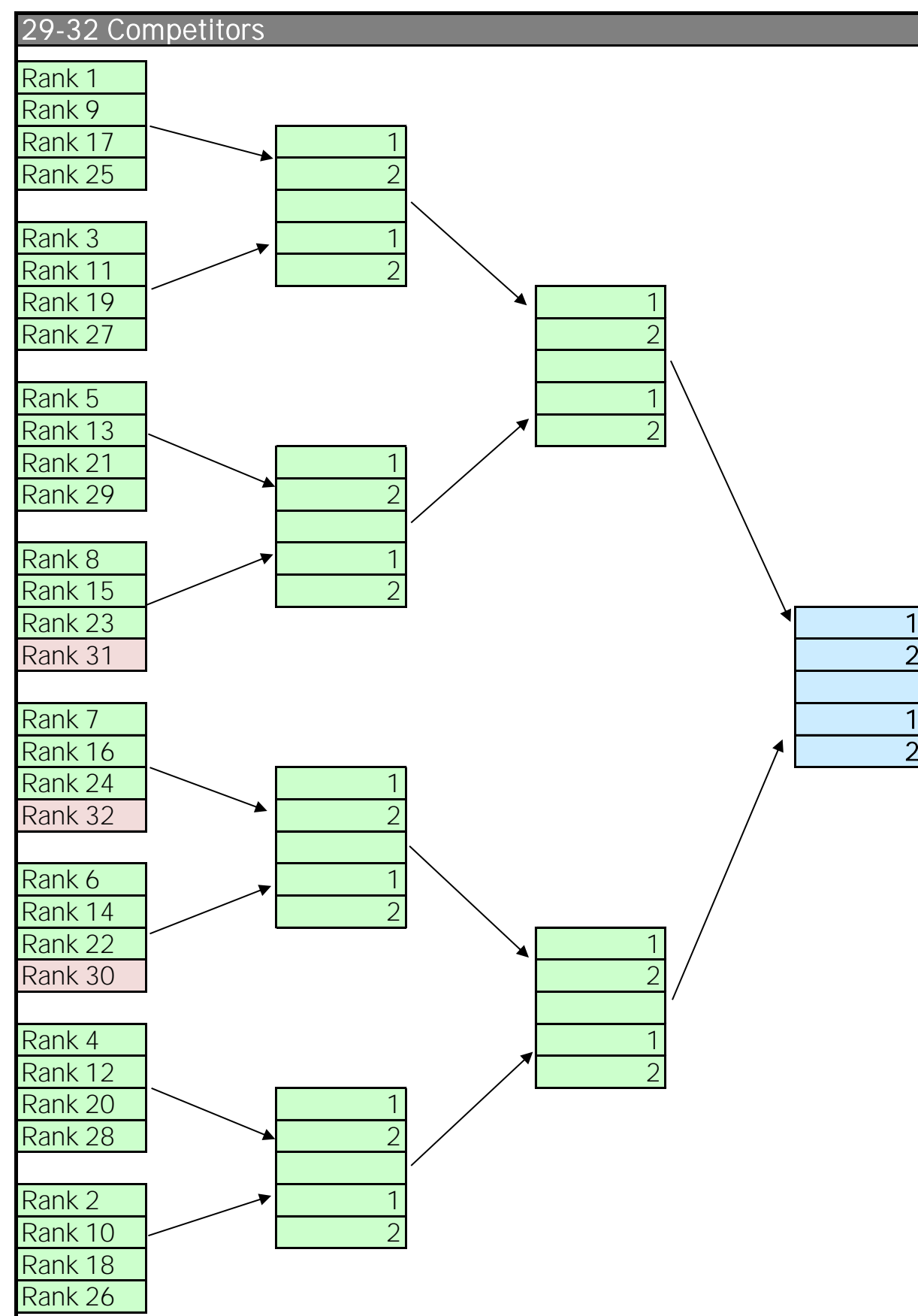
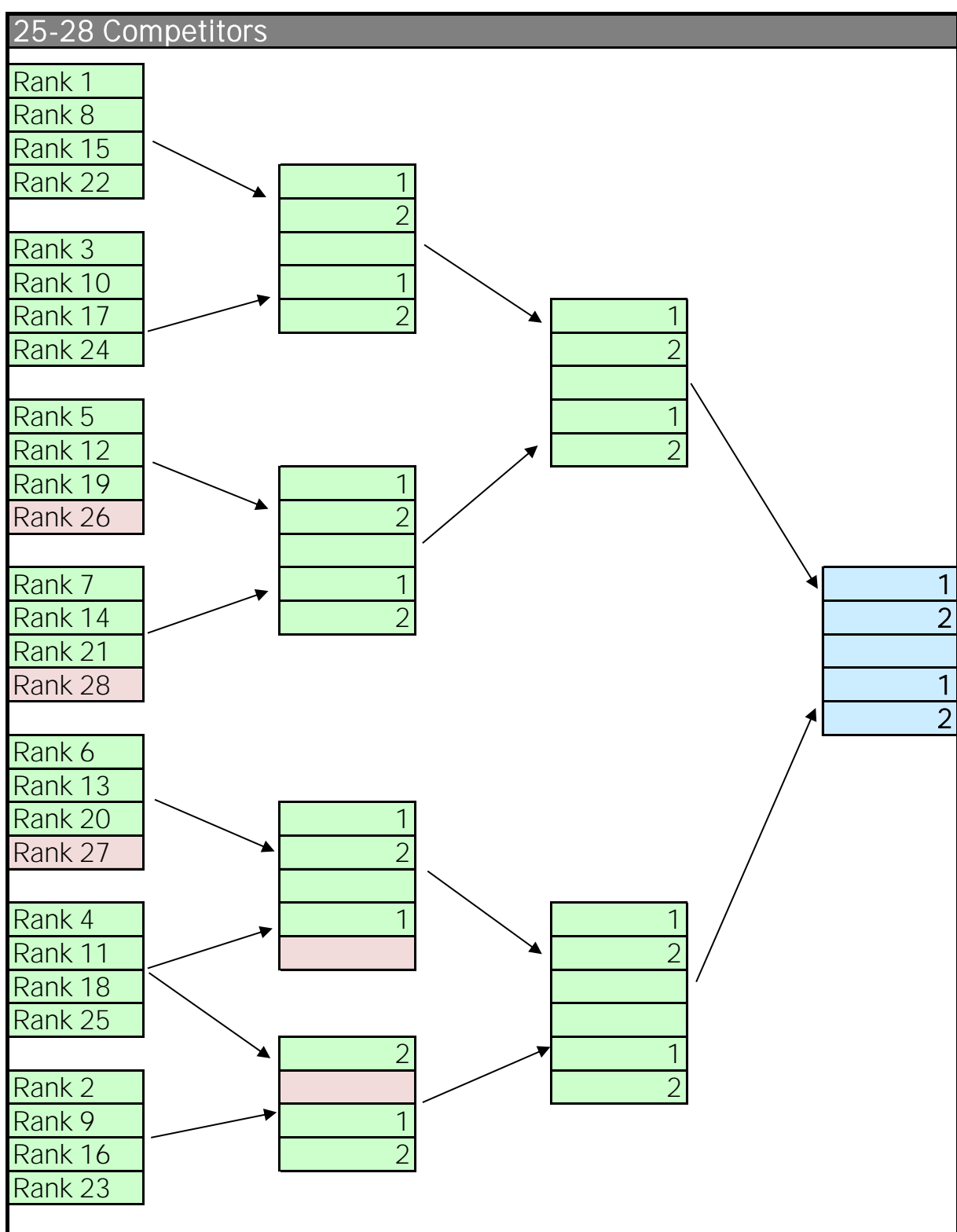
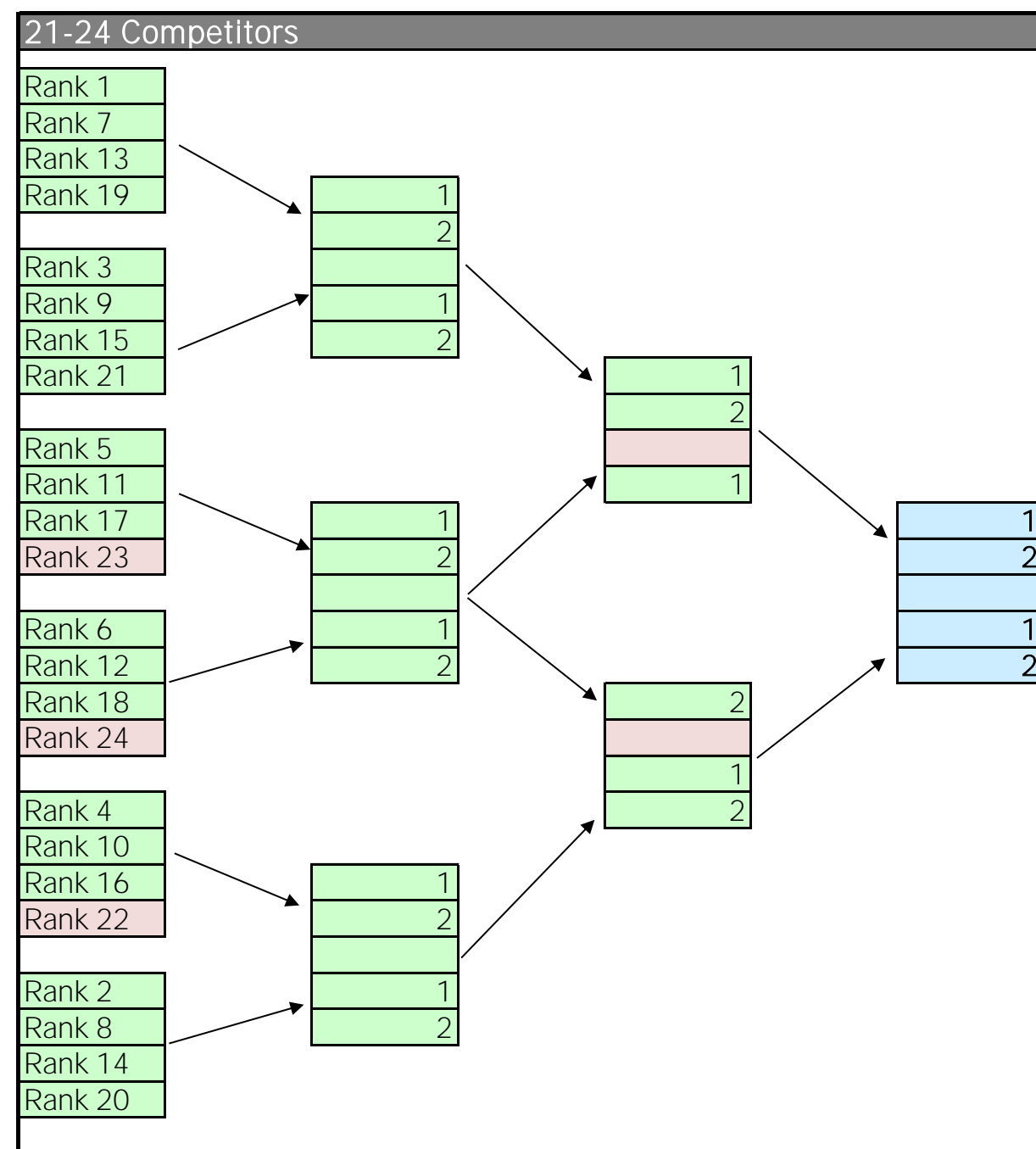
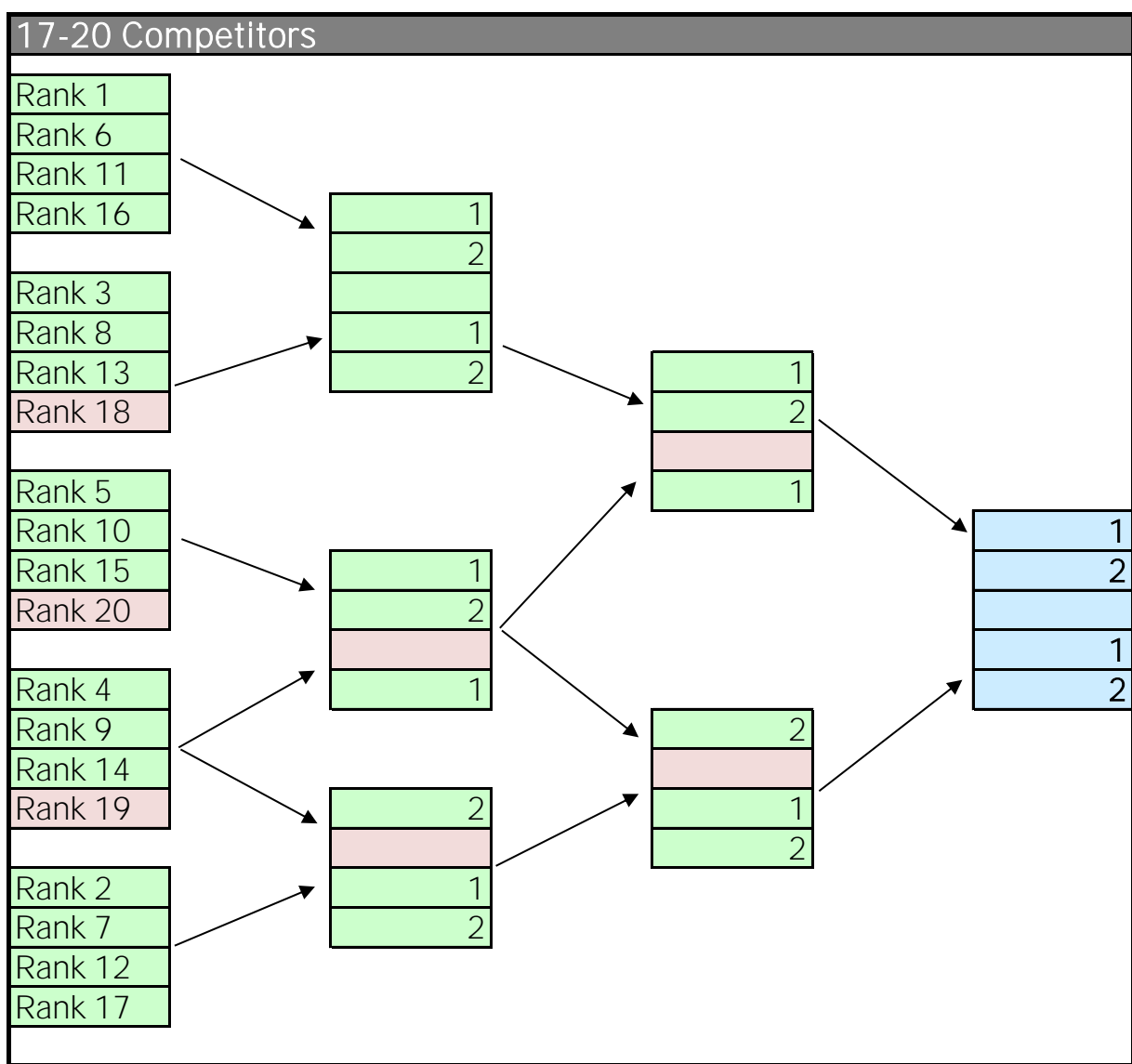
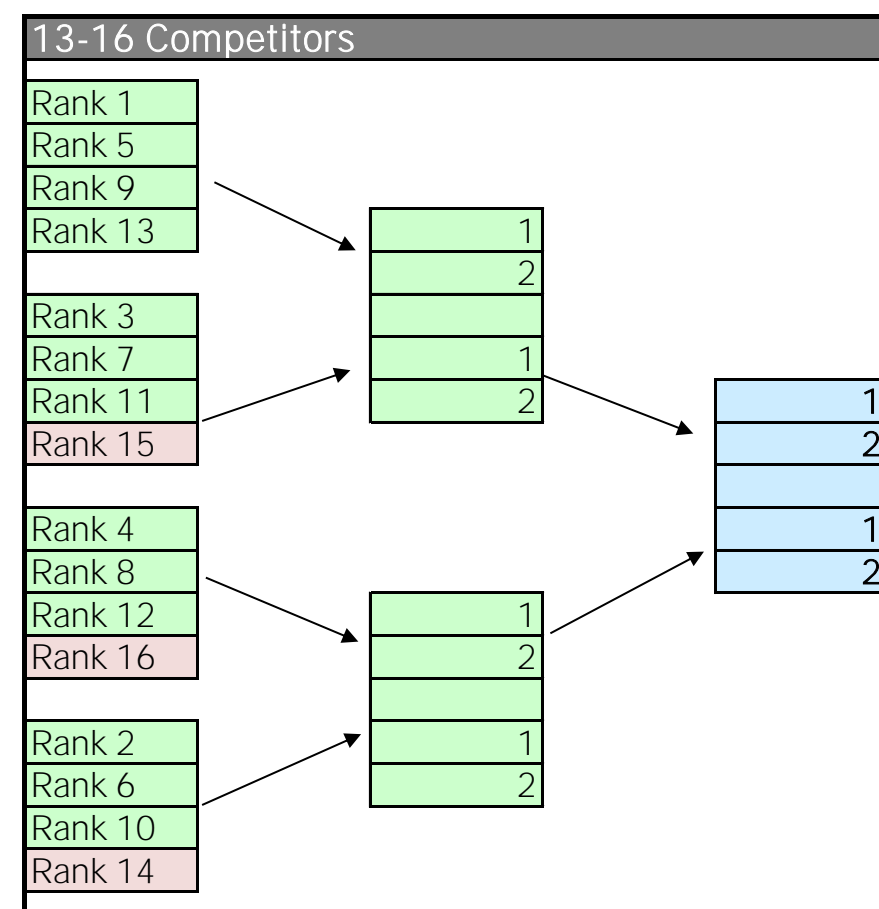
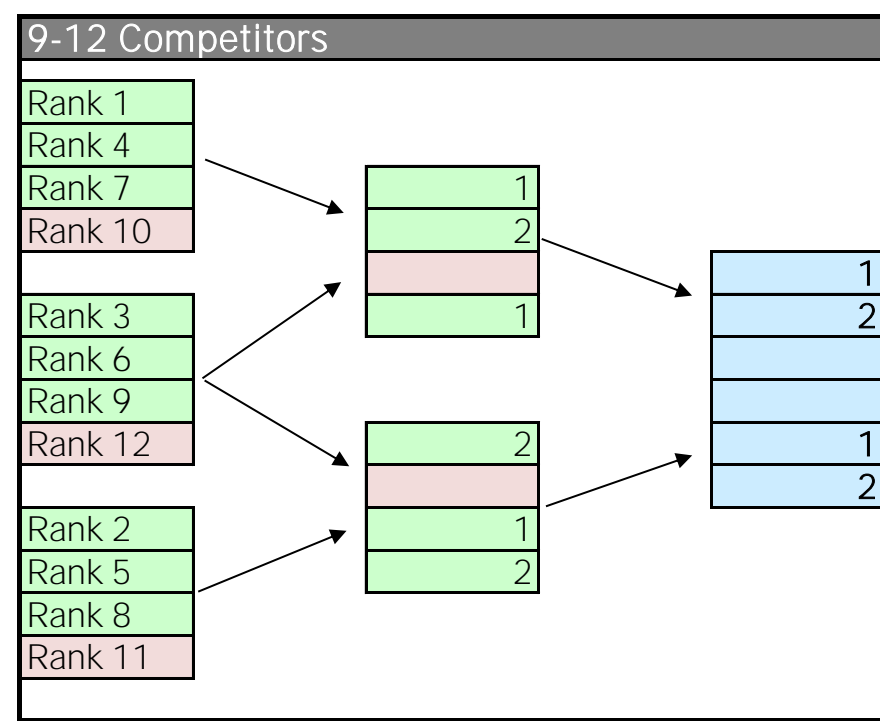
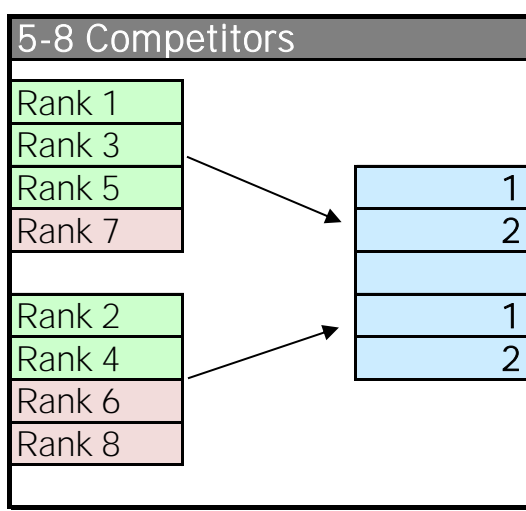
- 2.12.1 If a shot has not been fired due to a malfunction, and if the athlete wishes to claim a malfunction, he must hold his pistol pointing down range, retain his grip, and immediately inform the range officer by raising his free hand. He must not disturb other athletes.
- 2.12.1.1 An athlete may try to correct a malfunction and continue the series, but after attempting any correction, he may not claim an **ALLOWABLE MALFUNCTION** unless a part of the pistol is damaged sufficiently to prevent the pistol from functioning.
- 2.12.1.2 If a malfunction occurs in the sighting series it must not be registered as a malfunction. The sighting series may be completed (see ISSF rule 8.9.3c).
- 2.12.1.3 The number of shots already fired must be recorded and the series may be repeated.
- 2.12.1.4 Repeating a series because of a malfunction must be permitted only in case of an **ALLOWABLE MALFUNCTION** and only once in a complete 40 shot event.
- 2.12.2 Scoring: **ALLOWABLE MALFUNCTION**
- 2.12.2.1 The score must be recorded as the total of the five (5) lowest value hits on the targets. The athlete must fire all five (5) shots at the target in the repeat series. Any shot(s) not fired or not hitting the target in the re-shoot must be recorded as zero(es). (Paper target used, a second target must be provided for the re-shoot.)
- 2.12.3 Scoring: **NON ALLOWABLE MALFUNCTION**
- 2.12.3.1 The score must be the total of the fired shots.

### 3 Other Specifications

|                                      |   |
|--------------------------------------|---|
| Number of sighting shots             | One (1) series of five (5) shots in ten (10) seconds  |
| Targets                              | See ISSF Rule 6.3.2.6   |
| Scoring                              | After every five (5) shot series  |
| Competition shots                    | Eight (8) series of five (5) shots  |
| Competition time                     | 10 seconds per shot series  |
| Preparation time                     | Three (3) minutes   |
| Maximum Pistol Weight                | 1500g   |
| Minimum Trigger Pull                 | 500g  |
| Maximum Barrel Length - Sight Radius | Box Size Only 420mm x 200mm x 50mm  |
| Grips                                | <ul style="list-style-type: none"> <li>▪ No part of the grip or accessories may encircle the hand. The heel rest must extend at an angle of not less than 90 degrees to the grip. Any upward curvature of the heel and/or thumb rest and/or a downward curvature of the side opposite the thumb is prohibited. The thumb support must allow free upward movement of the thumb. However, curved surfaces on the grips or frame, including the heel and/or thumb rest in the longitudinal direction of the pistol are permitted.</li> </ul> |
| Other specifications                 | <ul style="list-style-type: none"> <li>▪ Magazine loaded with five (5) pellets.</li> <li>▪ Ported barrels and perforated barrel attachments are allowed</li> <li>▪ The weighing of the pistol is made with all accessories, including balancing weights and unloaded magazine.</li> <li>▪ A manufacturing tolerance of the rectangular Measuring Box of 0.0mm to +1.0mm will be permitted. It may be measured with the magazine removed.</li> </ul>   |

APPENDIX 9:

Falling Target competition progression and draw programme examples



## APPENDIX 10

### Athlete Epilepsy Declaration

To be completed by all athletes and uploaded to the Athlete's SDMS profile by **01 February** each season.

|                    |  |
|--------------------|--|
| <b>NPC</b>         |  |
| <b>SDMS ID No.</b> |  |
| <b>Last Name</b>   |  |
| <b>First Name</b>  |  |

Please check the appropriate statement:

- I hereby declare that I have not been medically diagnosed with any form of epilepsy.
- I hereby declare that I have been medically diagnosed with epilepsy, but my condition is stable and I am free of any epileptic fit/seizure or epilepsy-related episode over the period of the last 12 months.  
*Please state type of epilepsy you have been diagnosed with:*
- I hereby declare that I have been medically diagnosed with epilepsy, and that have suffered an epileptic fit/seizure or epilepsy-related episode over the period of the last 12 months.  
*Please state type of epilepsy you have been diagnosed with, and date and details of the epileptic fit/seizure or epilepsy-related episode:*

|                                     |  |
|-------------------------------------|--|
| <b>Athlete signature</b>            |  |
| <b>NPC Representative signature</b> |  |
| <b>NPC Stamp</b>                    |  |
| <b>Date</b>                         |  |



**International Paralympic Committee**

Adenauerallee 212-214  
53113 Bonn, Germany

Tel. +49 228 2097-200

Fax +49 228 2097-209

[info@paralympic.org](mailto:info@paralympic.org)

[www.ipc-shooting.org](http://www.ipc-shooting.org)

© 2015 International Paralympic Committee – ALL RIGHTS RESERVED  
Photo ©: Getty Images, Ralf Kuckuck